

PARA MAIOR DETALHE:
CONSULTAR CATALOGOS DAS MARCAS, TAMBÉM NESTE SEPARADOR.

CARRETOS E CREMALHEIRAS



CARRETOS 04B (6 x 2,8mm)

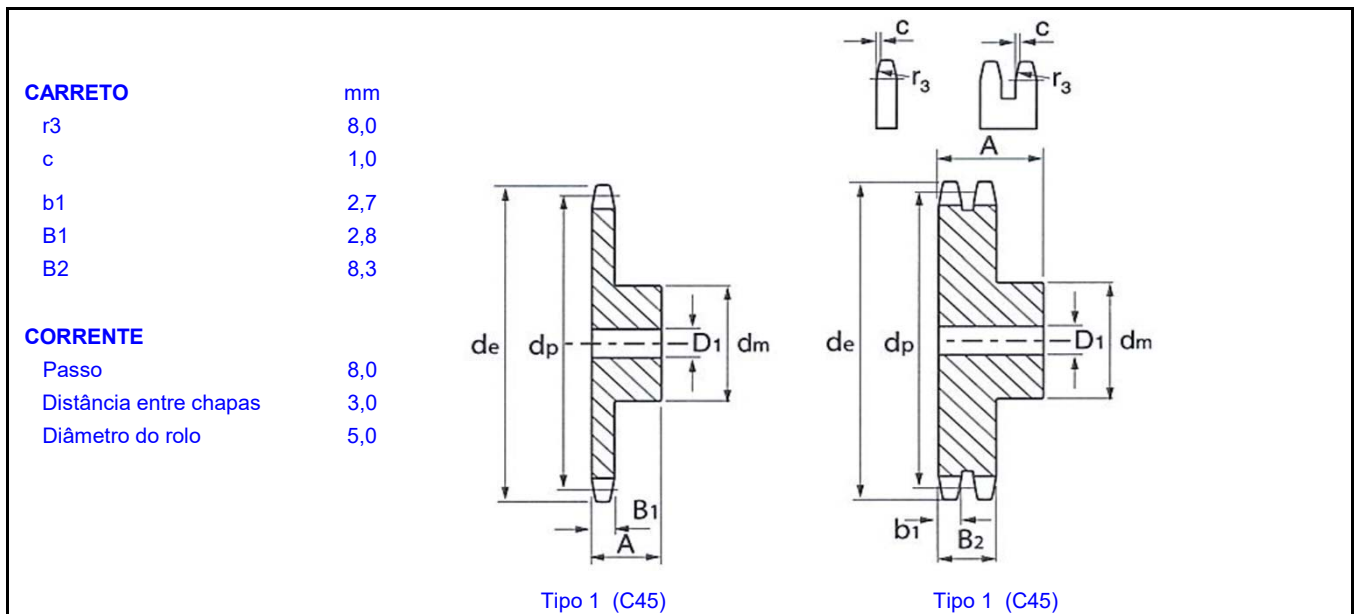
CARRETO	mm
r3	6,0
c	0,7
B1	2,6

CORRENTE	
Passo	6,0
Distância entre chapas	2,8
Diâmetro do rolo	4,0

Tipo 1 (C45)

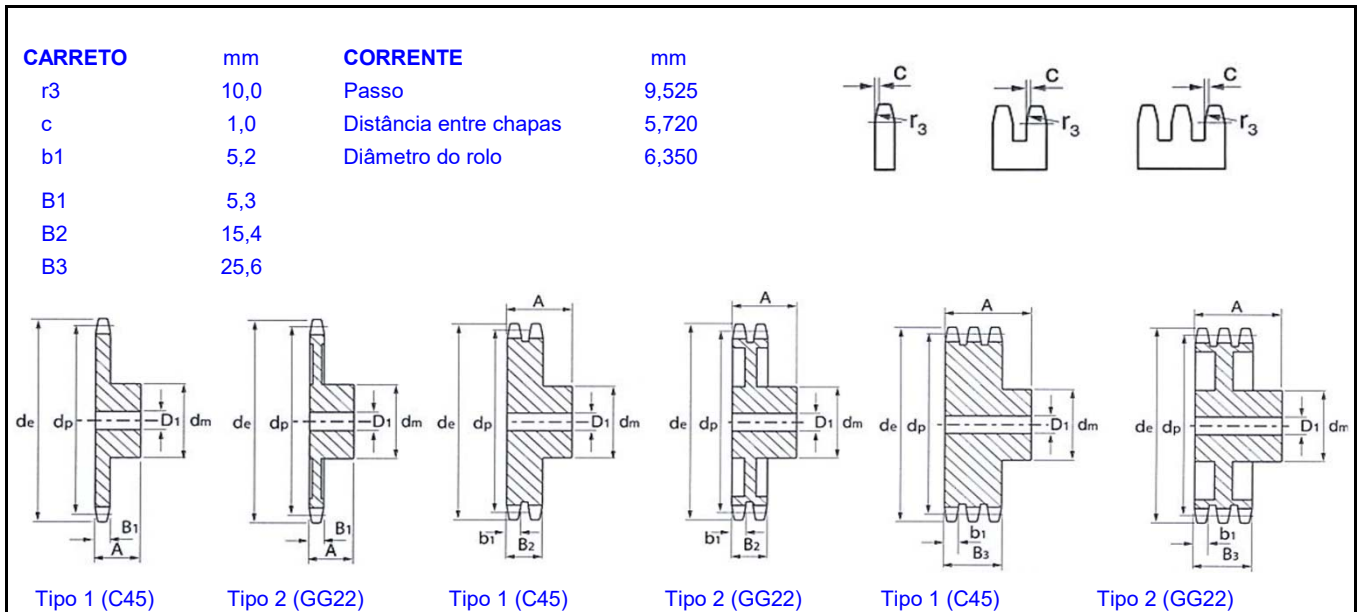
Nº dentes Z	Diâm.ext. de	Diâm.primitivo dp	dm	A	D1	Tipo
8	18.0	15.67	9.8	10	5	1
9	19.9	17.54	11.5	10	5	1
10	21.7	19.42	13.0	10	6	1
11	23.6	21.30	14.0	10	6	1
12	25.4	23.18	16.0	10	6	1
13	27.3	25.05	18.0	10	6	1
14	29.2	26.96	20.0	10	6	1
15	31.1	28.86	20.0	10	6	1
16	33.0	30.76	20.0	13	8	1
17	35.0	32.65	20.0	13	8	1
18	36.9	34.55	20.0	13	6	1
19	38.8	36.44	20.0	13	8	1
20	40.7	38.34	20.0	13	8	1
21	42.6	40.25	25.0	13	8	1
22	44.5	42.16	25.0	13	8	1
23	46.4	44.06	25.0	13	8	1
24	48.3	45.96	25.0	13	8	1
25	50.2	47.87	25.0	13	8	1
26	52.1	49.77	30.0	15	8	1
27	54.0	51.67	30.0	15	8	1
28	55.9	53.58	30.0	15	8	1
29	57.8	55.50	30.0	15	8	1
30	59.8	57.42	30.0	15	8	1
31	61.7	59.31	30.0	15	10	1
32	63.6	61.21	30.0	15	10	1
33	65.5	63.11	30.0	15	10	1
34	67.4	65.02	30.0	15	10	1
35	69.3	66.93	30.0	15	10	1
36	71.2	68.84	30.0	15	10	1
37	73.1	70.75	30.0	15	10	1
38	75.0	72.66	30.0	15	10	1
39	75.9	74.56	30.0	15	10	1
40	78.9	76.47	30.0	15	10	1
45	88.5	86.01	40.0	18	12	1
50	98.0	95.55	50.0	20	12	1
57	111.4	108.93	50.0	20	12	1

CARRETOS 05B (8 x 3 mm)



Nº dentes Z	Diâm.ext. de	Diâm.primitivo dp	SIMPLES			DUPLO			Tipo
			dm	A	D1	dm	A	D1	
8	24.0	20.90	13	12	6	12	18	6	1
9	26.6	23.39	15	12	6	15	18	6	1
10	29.2	25.89	17	12	6	17	18	8	1
11	31.7	28.39	18	13	7	19	18	8	1
12	34.2	30.91	20	13	7	21	18	8	1
13	36.7	33.42	23	13	7	24	18	8	1
14	39.2	35.95	25	13	7	26	18	8	1
15	41.7	38.48	28	13	7	29	18	18	1
16	44.3	41.01	30	14	8	32	20	10	1
17	46.8	43.53	30	14	8	34	20	10	1
18	49.3	46.07	30	14	8	37	20	10	1
19	51.9	48.61	30	14	8	39	20	10	1
20	54.4	51.14	30	14	8	40	20	10	1
21	67.0	53.67	35	14	8	40	20	10	1
22	59.5	56.21	35	14	8	40	20	10	1
23	62.0	58.75	36	14	8	40	20	10	1
24	64.6	61.29	35	14	8	40	20	10	1
25	67.5	63.83	35	14	8	40	20	10	1
26	69.5	66.37	40	16	10	50	22	12	1
27	72.2	68.91	40	16	10	50	22	12	1
28	74.8	71.45	40	16	10	50	22	12	1
29	77.3	73.99	40	16	10	50	22	12	1
30	79.8	76.53	40	16	10	50	22	12	1
31	82.4	79.08	40	16	12	60	22	12	1
32	84.9	81.61	40	16	12	60	22	12	1
33	87.5	84.16	40	16	12	60	22	12	1
34	90.0	86.70	40	16	12	60	22	12	1
35	92.5	89.24	40	16	12	60	22	12	1
36	95.0	91.79	40	16	12	60	22	12	1
37	97.6	94.33	40	16	12	60	22	12	1
38	100.2	96.88	40	16	12	60	22	12	1
39	102.7	99.42	40	16	12	60	22	12	1
40	105.2	101.97	40	16	12	60	22	12	1
45	118.0	114.69	60	20	12	-	-	-	1
50	130.7	127.41	60	20	12	-	-	-	1
57	148.6	145.22	80	20	14	-	-	-	1

CARRETOS 06B (3/8" x 7/32")



Nº dent.	Diâm.ext.	Diâm.prim.	SIMPLES			DUPLO			TRIPLO			Tipo
			dm	A	D1	dm	A	D1	dm	A	D1	
8	28.0	24.89	15	22	8	15	22	8	15	32	8	1
9	31.0	27.85	18	22	8	18	22	8	18	32	8	1
10	34.0	30.82	20	22	8	20	22	8	20	32	10	1
11	37.0	33.80	22	25	8	22	25	10	22	35	12	1
12	40.0	36.80	25	25	8	25	25	10	25	35	12	1
13	43.0	39.80	28	25	10	28	25	10	28	35	12	1
14	46.3	42.80	31	25	10	31	25	10	31	35	12	1
15	49.3	45.81	34	25	10	34	25	10	34	35	12	1
16	52.3	48.82	37	28	10	37	30	12	37	35	12	1
17	55.3	51.93	40	28	10	40	30	12	40	35	12	1
18	58.3	54.85	43	28	10	43	30	12	43	35	12	1
19	61.3	57.87	45	28	10	46	30	12	46	35	12	1
20	64.3	60.89	46	28	10	49	30	12	49	35	12	1
21	68.0	63.91	48	28	12	52	30	16	52	40	16	1
22	71.0	66.93	50	28	12	55	30	16	55	40	16	1
23	73.5	69.95	52	28	12	58	30	16	58	40	16	1
24	77.0	72.97	54	28	12	61	30	16	61	40	16	1
25	80.0	76.00	57	28	12	64	30	16	64	40	18	1
26	83.0	79.02	60	28	12	67	30	16	67	40	16	1
27	86.0	82.04	80	28	12	70	30	16	70	40	16	1
28	89.0	85.07	60	28	12	73	30	16	73	40	16	1
29	92.0	88.09	60	28	12	76	30	16	76	40	16	1
30	94.7	91.12	60	28	12	79	30	16	79	40	16	1
31	98.3	94.15	65	30	14	80	30	16	80	40	16	1
32	101.3	97.17	65	30	14	80	30	16	80	40	16	1
33	104.3	100.20	65	30	14	80	30	16	80	40	16	1
34	107.3	103.23	65	30	14	90	30	16	85	40	16	1
35	110.4	106.26	65	30	14	80	30	16	85	40	16	1
36	113.4	109.29	70	30	14	90	30	16	90	40	16	1
37	116.4	112.32	70	30	14	90	30	16	90	40	16	1
38	119.5	115.34	70	30	14	90	30	16	90	40	16	1
39	122.5	118.37	70	30	14	90	30	16	90	40	16	1
40	125.5	121.40	70	30	14	90	30	16	90	40	16	1
38	119.5	115.34	70	32	20	80	40	20	90	56	24	2
45	140.7	136.54	70	32	20	80	40	20	90	56	24	2
57	176.9	172.91	70	32	20	80	40	20	90	56	24	2
76	234.9	230.49	70	32	20	80	40	20	100	56	24	2
95	292.5	288.08	80	40	20	90	45	20	100	56	24	2
114	349.6	345.68	80	40	20	95	45	20	100	56	24	2

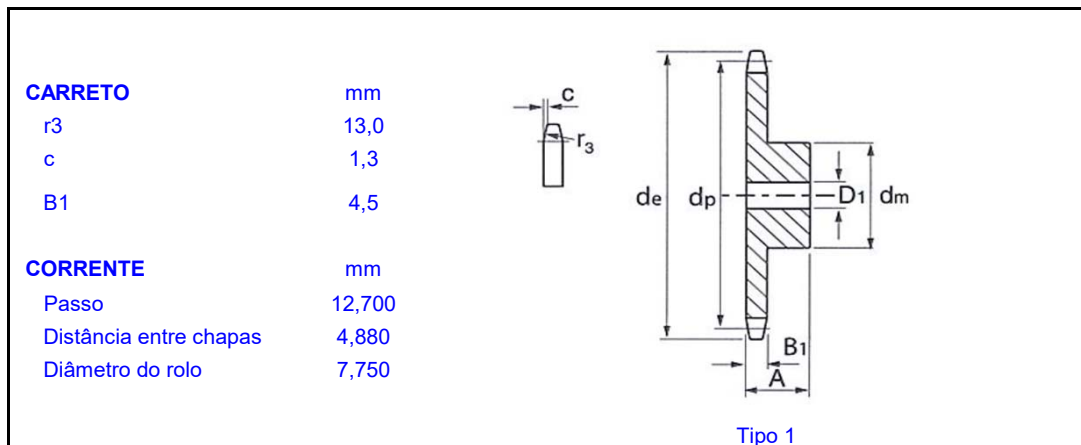
CARRETOS 081 (1/2" x 1/8")

CARRETO	mm	
r3	13,0	
c	1,0	
B1	3,0	
CORRENTE	mm	
Passo	12,700	
Distância entre chapas	3,300	
Diâmetro do rolo	7,750	

Tipo 1 (C45)

Nº dentes Z	Diâm.ext. de	Diâm.primitivo dp	dm	A	D1	Tipo
8	37.2	33.18	21	14	8	1
9	41.5	37.13	25	14	8	1
10	46.2	41.10	28	14	8	1
11	49.6	45.07	31	16	8	1
12	53.9	49.07	35	16	8	1
13	58.4	53.06	39	16	8	1
14	62.8	57.07	43	16	8	1
15	66.8	61.09	47	16	8	1
16	70.9	65.10	50	18	10	1
17	74.9	69.11	50	18	10	1
18	78.9	73.14	50	18	10	1
19	82.9	77.16	50	18	10	1
20	86.9	81.19	50	18	10	1
21	91.0	85.22	60	20	12	1
22	95.0	89.24	60	20	12	1
23	99.0	93.27	60	20	12	1
24	103.0	97.29	60	20	12	1
25	107.1	101.33	60	20	12	1
26	111.2	105.36	70	20	16	1
27	115.4	109.40	70	20	16	1
28	119.4	113.42	70	20	16	1
29	123.4	117.46	70	20	16	1
30	127.5	121.50	70	20	16	1
31	131.5	125.54	70	20	16	1
32	135.5	129.56	70	20	16	1
33	139.6	133.60	70	20	16	1
34	143.6	137.64	70	20	16	1
35	147.6	141.68	70	20	16	1
36	151.7	145.72	70	25	16	1
37	155.7	149.76	70	25	16	1
38	159.8	153.80	70	25	16	1
39	163.8	157.83	70	25	16	1
40	167.8	161.87	70	25	16	1

CARRETOS 083 / 084 (1/2" x 3/16")



Nº dentes Z	Diâm.ext. de	Diâm.primitivo dp	dm	A	D1	Tipo
8	38.5	33.18	21	14	8	1
9	41.5	37.13	25	14	8	1
10	46.2	41.10	28	14	8	1
11	49.6	45.07	31	16	8	1
12	53.9	49.07	35	16	8	1
13	58.4	53.06	39	16	8	1
14	62.8	57.07	43	16	8	1
15	66.8	61.09	47	16	8	1
16	70.9	65.10	50	18	10	1
17	74.9	69.10	50	18	10	1
18	78.9	73.14	50	18	10	1
19	82.9	77.16	50	18	10	1
20	86.9	81.19	50	18	10	1
21	91.0	85.22	60	20	12	1
22	95.0	89.24	60	20	12	1
23	99.0	93.27	60	20	12	1
24	103.0	97.29	60	20	12	1
25	107.1	101.33	60	20	12	1
26	111.2	105.36	70	20	16	1
27	115.4	109.40	70	20	16	1
28	119.4	113.42	70	20	16	1
29	123.4	117.46	70	20	16	1
30	127.5	121.50	70	20	16	1
31	131.5	125.54	70	20	16	1
32	135.5	129.56	70	20	16	1
33	139.6	133.60	70	20	16	1
34	143.6	137.64	70	20	16	1
35	147.6	141.68	70	20	16	1
36	151.7	145.72	70	25	16	1
37	155.7	149.76	70	25	16	1
38	159.8	153.80	70	25	16	1
39	163.8	157.83	70	25	16	1
40	167.8	161.87	70	25	16	1

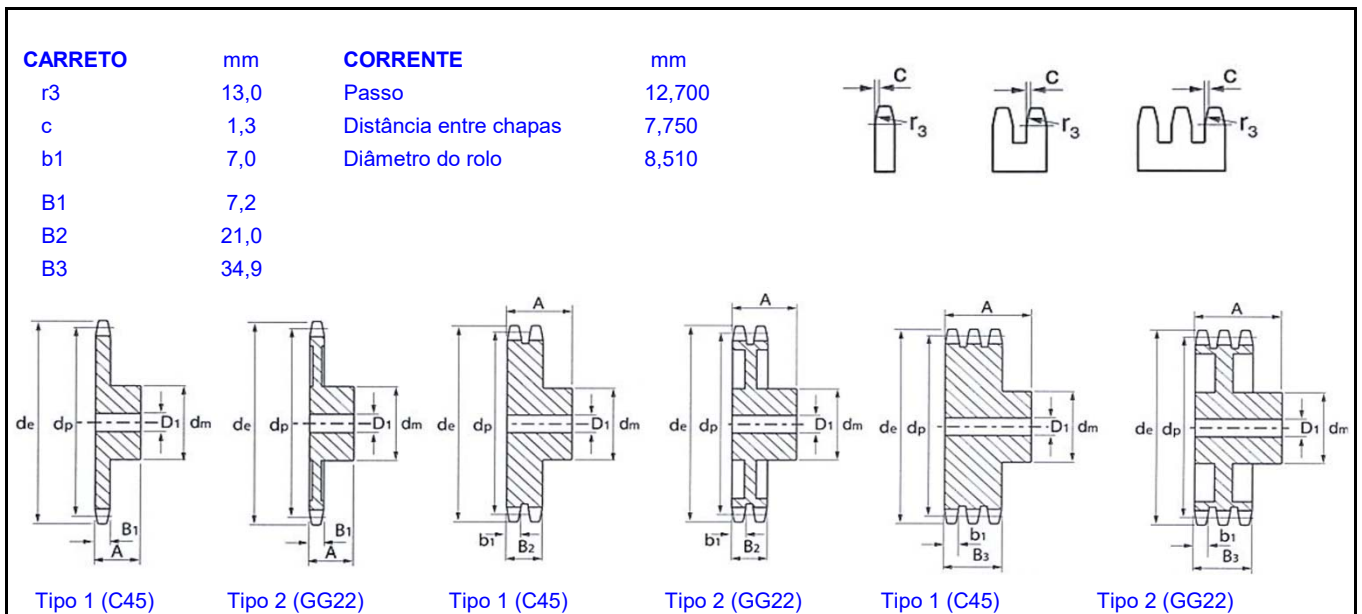
CARRETOS 085 (1/2" x 1/4")

CARRETO	mm	
r3	13,0	
c	1,3	
B1	5,9	
CORRENTE	mm	
Passo	12,700	
Distância entre chapas	6,400	
Diâmetro do rolo	7,750	

Tipo 1 (C45)

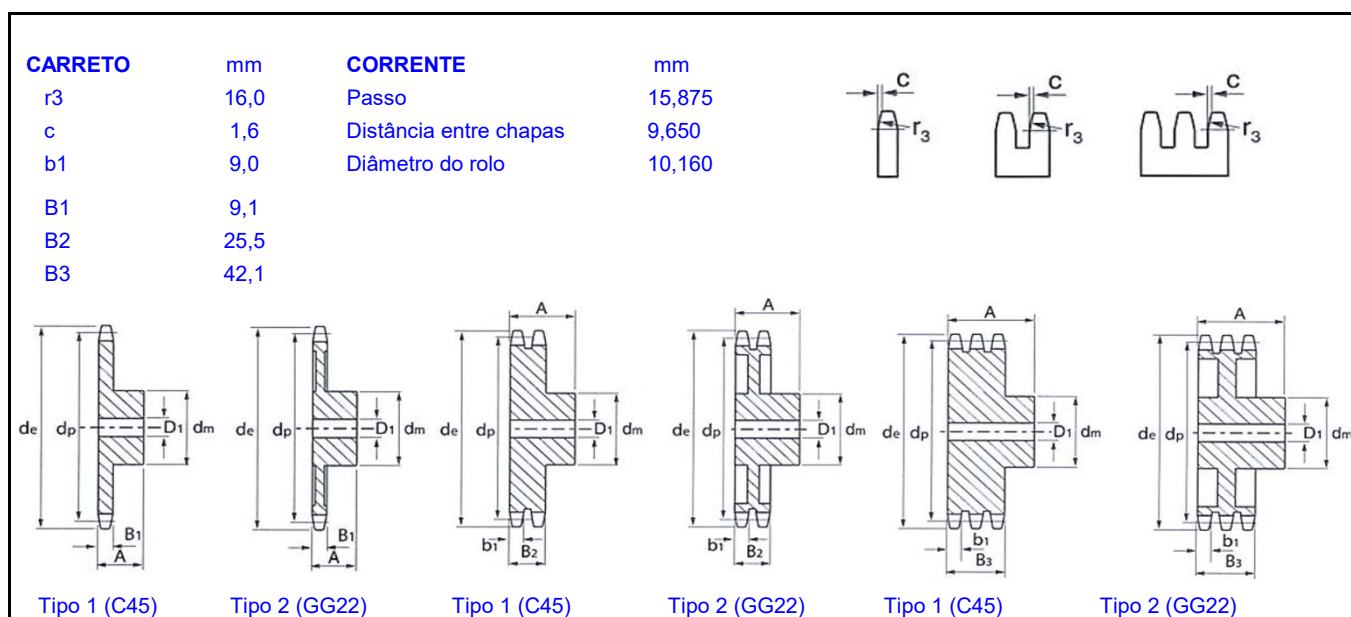
Nº dentes Z	Diâm.ext. de	Diâm.primitivo dp	dm	A	D1	Tipo
8	38.5	33.18	20	25	10	1
9	41.5	37.13	24	25	10	1
10	46.2	41.10	26	25	10	1
11	49.6	45.07	29	25	10	1
12	53.9	49.07	33	28	10	1
13	58.4	53.06	37	28	10	1
14	62.8	57.07	41	28	10	1
15	66.8	61.09	45	28	10	1
16	70.9	65.10	50	28	12	1
17	74.9	69.11	52	28	12	1
18	78.9	73.14	56	28	12	1
19	82.9	77.16	60	28	12	1
20	86.9	81.19	64	28	12	1
21	91.0	85.22	68	28	14	1
22	96.0	89.24	70	28	14	1
23	99.0	93.27	70	28	14	1
24	103.0	97.29	70	28	14	1
25	107.1	101.33	70	28	14	1
26	111.2	105.36	70	30	16	1
27	115.4	109.40	70	30	16	1
28	119.4	113.42	70	30	16	1
29	123.4	117.46	80	30	16	1
30	127.5	121.50	80	30	16	1
31	131.5	125.54	90	30	16	1
32	135.5	129.56	90	30	16	1
33	139.6	133.60	90	30	16	1
34	143.6	137.64	90	30	16	1
35	147.6	141.68	90	30	16	1
36	151.7	145.72	90	35	16	1
37	155.7	149.76	90	35	16	1
38	159.8	153.80	90	35	16	1
39	163.8	157.83	90	35	16	1
40	167.8	161.87	90	35	16	1

CARRETOS 08B (1/2" x 5/16")



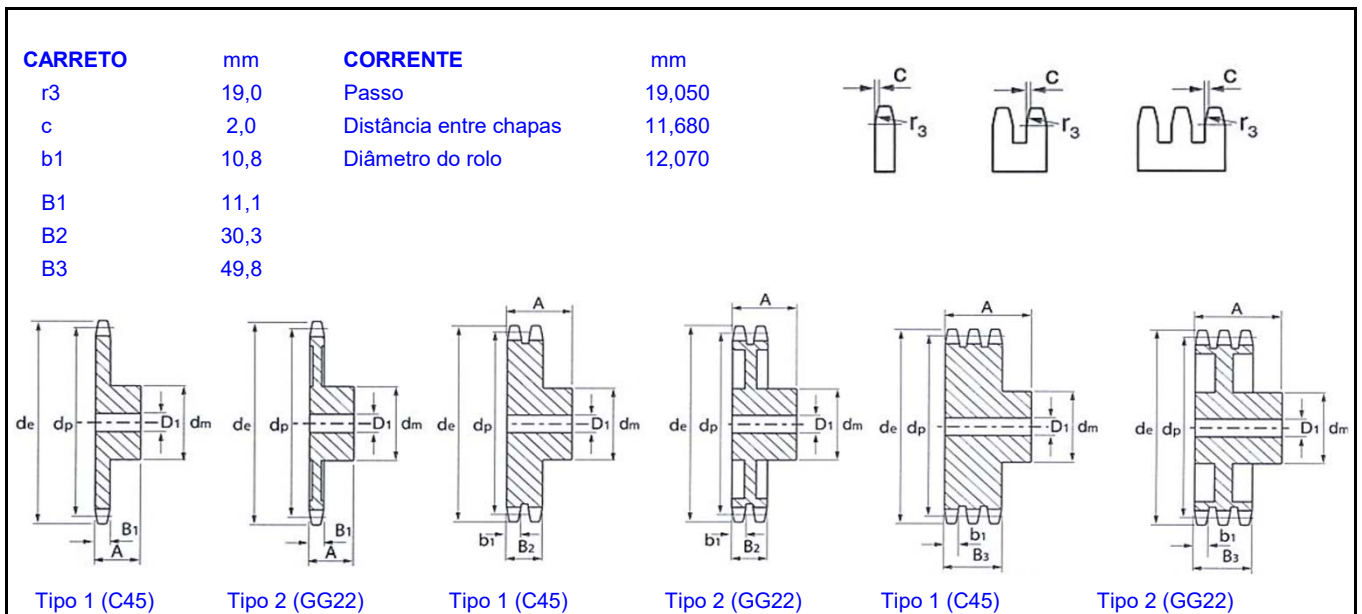
Nº dent.	Diâm.ext.	Diâm.prim.	SIMPLES			DUPLO			TRIPLO			Tipo
			dm	A	D1	dm	A	D1	dm	A	D1	
8	37.2	33.18	20	25	10	20	32	10	20	46	10	1
9	41.0	37.13	24	25	10	24	32	10	24	46	12	1
10	45.2	41.10	26	25	10	28	32	10	28	46	12	1
11	48.7	45.07	29	25	10	32	35	12	32	50	16	1
12	53.0	49.07	33	28	10	35	35	12	35	50	16	1
13	57.4	53.06	37	28	10	38	35	12	38	50	16	1
14	61.8	57.07	41	28	10	42	35	12	42	50	16	1
15	65.5	61.09	45	28	10	46	35	12	46	50	16	1
16	69.5	65.10	50	28	12	50	38	14	50	50	16	1
17	73.6	69.11	52	28	12	54	38	14	54	50	16	1
18	77.8	73.14	56	28	12	58	38	14	58	50	16	1
19	81.7	77.16	60	28	12	62	38	14	62	50	16	1
20	85.8	81.19	64	28	12	66	38	14	66	50	16	1
21	89.7	85.22	68	28	14	70	40	16	70	55	20	1
22	93.8	89.24	70	28	14	70	40	16	70	55	20	1
23	98.2	93.27	70	28	14	70	40	16	70	55	20	1
24	101.8	97.29	70	28	14	75	40	16	75	55	20	1
25	105.8	101.33	70	28	14	80	40	16	80	55	20	1
26	110.0	105.36	70	30	18	85	40	20	85	55	20	1
27	114.0	109.40	70	30	16	85	40	20	85	55	20	1
28	118.0	113.42	70	30	16	90	40	20	90	55	20	1
29	122.0	117.46	80	30	16	95	40	20	95	55	20	1
30	126.1	121.50	80	30	16	100	40	20	100	55	20	1
31	130.2	125.54	90	30	16	100	40	20	110	55	20	1
32	134.3	129.56	90	30	16	100	40	20	110	55	20	1
33	138.4	133.60	90	30	16	100	40	20	110	55	20	1
34	142.6	137.64	90	30	16	100	40	20	110	55	20	1
35	146.7	141.68	90	30	16	100	40	20	110	55	20	1
36	151.0	145.72	90	35	20	100	40	20	120	55	25	1
37	154.6	149.76	90	35	20	100	40	20	120	55	25	1
38	158.6	153.80	90	35	20	100	40	20	120	55	25	1
39	162.7	157.83	90	35	20	100	40	20	120	55	25	1
40	166.8	161.87	90	35	20	100	40	20	120	55	25	1
38	158.6	153.80	70	40	24	90	50	24	100	60	24	2
45	188.0	182.07	70	40	24	90	50	24	100	60	24	2
57	236.4	230.54	70	40	24	90	50	24	100	60	24	2
76	313.3	307.33	80	40	24	100	56	24	100	60	24	2
95	390.1	384.11	80	45	24	100	56	24	120	67	24	2
114	466.9	460.90	80	45	25	100	63	25	120	67	25	2

CARRETOS 10B (5/8" x 3/8")



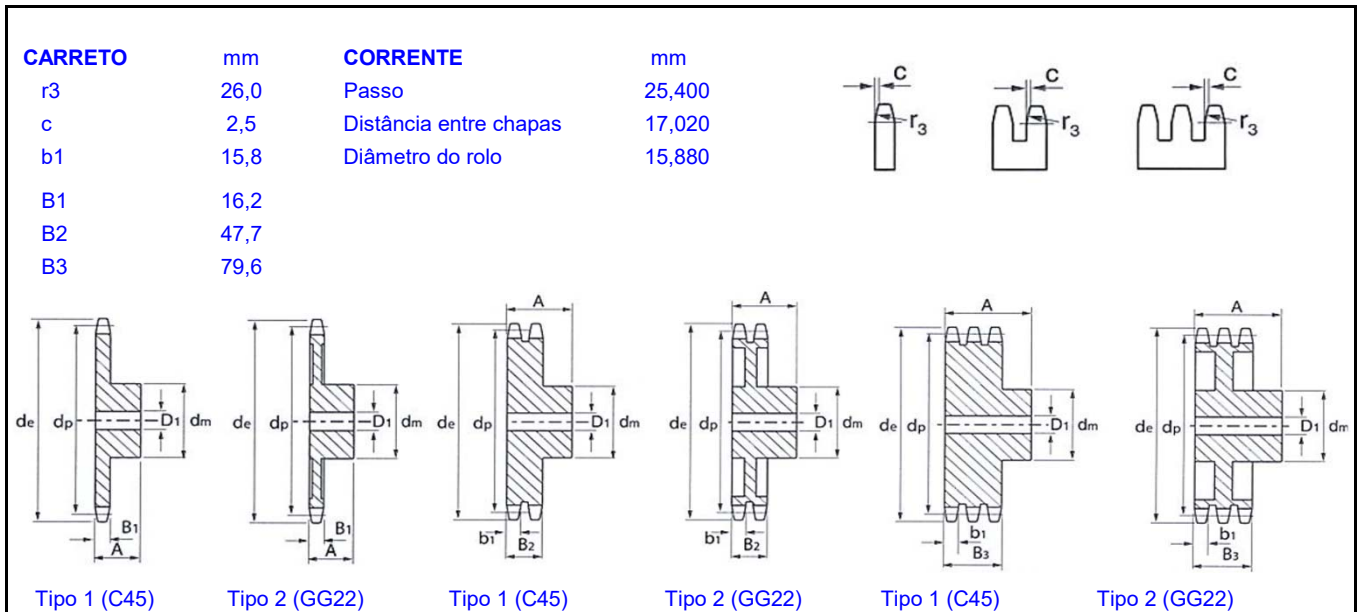
Nº dent.	Diâm.ext.	Diâm.prim.	SIMPLES			DUPLO			TRIPLO			Tipo
			dm	A	D1	dm	A	D1	dm	A	D1	
8	47.0	41.48	25	25	10	25	40	12	25	55	12	1
9	52.6	46.42	30	25	10	30	40	12	30	55	12	1
10	57.5	51.37	35	25	10	35	40	12	35	55	16	1
11	63.0	56.34	37	30	12	39	40	14	39	55	16	1
12	68.0	61.34	42	30	12	44	40	14	44	55	16	1
13	73.0	66.32	47	30	12	49	40	14	49	55	16	1
14	78.0	71.34	52	30	12	54	40	14	54	55	16	1
15	83.0	76.36	57	30	12	59	40	14	59	55	16	1
16	88.0	81.37	60	30	14	64	45	16	64	60	16	1
17	93.0	86.39	60	30	14	69	45	16	69	60	16	1
18	98.3	91.42	70	30	14	74	45	16	74	60	16	1
19	103.3	96.45	70	30	14	79	45	16	79	60	16	1
20	108.4	101.49	75	30	14	84	45	16	84	60	16	1
21	113.4	106.52	75	30	16	85	45	16	85	60	20	1
22	118.0	111.55	80	30	16	90	45	16	90	60	20	1
23	123.4	116.58	80	30	16	95	45	16	95	60	20	1
24	128.3	121.62	80	30	16	100	45	16	100	60	20	1
25	134.0	126.66	80	30	16	105	45	16	105	60	20	1
26	139.0	131.70	85	35	20	110	45	20	110	60	20	1
27	144.0	136.75	85	35	20	110	45	20	110	60	20	1
28	148.7	141.78	90	35	20	115	45	20	115	60	20	1
29	153.8	146.83	90	35	20	115	45	20	115	60	20	1
30	158.8	151.87	90	35	20	120	46	20	120	60	20	1
31	163.9	156.92	95	35	20	120	45	20	120	60	20	1
32	168.9	161.95	95	35	20	120	45	20	120	60	20	1
33	174.5	167.00	95	35	20	120	45	20	120	60	20	1
34	179.0	172.05	95	35	20	120	45	20	120	60	20	1
35	184.1	177.10	95	35	20	120	45	20	120	60	20	1
36	189.1	182.15	100	35	20	120	45	20	120	60	25	1
37	194.2	187.20	100	35	20	120	45	20	120	60	25	1
38	199.2	192.24	100	35	20	120	45	20	120	60	25	1
39	204.2	197.29	100	35	20	120	45	20	120	60	25	1
40	209.3	202.34	100	35	20	120	45	20	120	60	25	1
38	199.2	192.24	80	40	24	100	50	30	100	60	32	2
45	235.0	227.58	80	40	24	100	50	30	100	60	32	2
57	296.0	288.18	90	45	24	100	56	30	100	63	32	2
76	392.1	384.16	90	50	24	100	63	30	110	67	35	2
95	488.5	480.14	100	56	24	110	63	30	125	70	35	2
114	584.1	576.13	100	56	25	125	70	30	125	80	35	2

CARRETOS 12B (3/4" x 7/16")



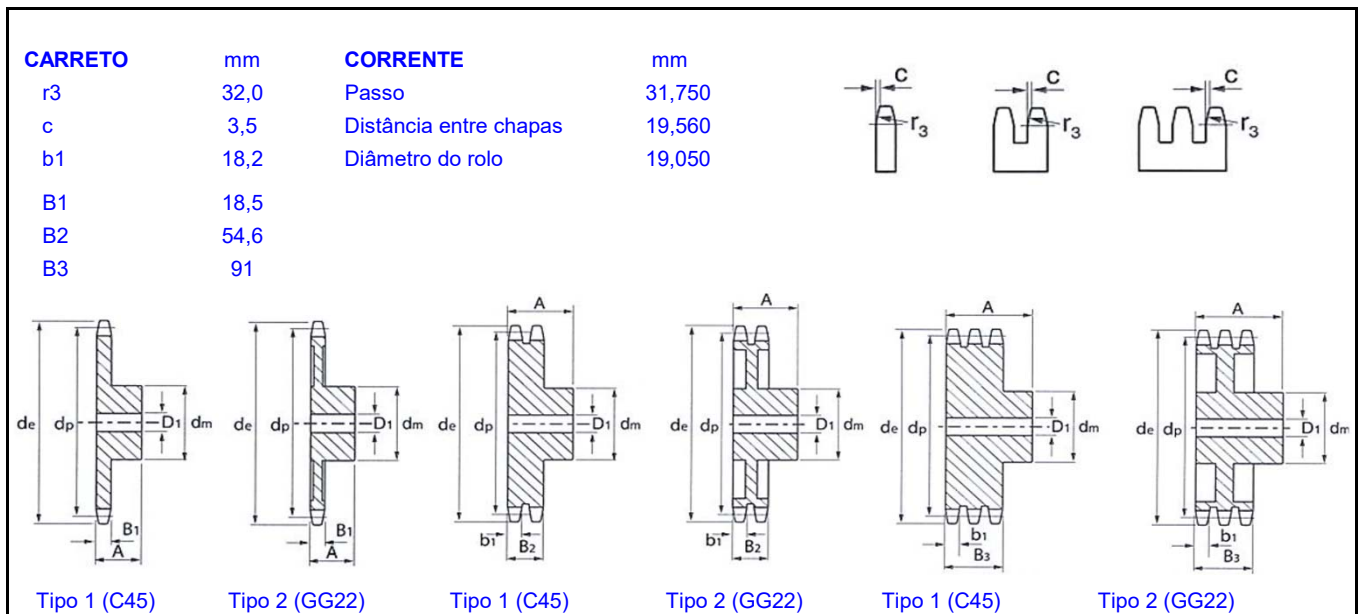
Nº dent.	Diâm.ext.	Diâm.prim.	SIMPLES			DUPLO			TRIPLO			Tipo
			dm	A	D1	dm	A	D1	dm	A	D1	
8	57.6	49.78	31	30	12	31	45	12	31	65	16	1
9	62.0	55.70	37	30	12	37	45	12	37	65	16	1
10	69.0	61.64	42	30	12	42	45	12	42	65	16	1
11	75.0	67.61	46	35	14	47	50	16	47	70	20	1
12	81.5	73.60	52	35	14	53	50	16	53	70	20	1
13	87.5	79.59	58	35	14	59	50	16	59	70	20	1
14	93.6	85.61	64	35	14	65	50	16	65	70	20	1
15	99.8	91.63	70	35	14	71	50	16	71	70	20	1
16	105.5	97.65	75	35	16	77	50	20	77	70	20	1
17	111.5	103.67	80	35	16	83	50	20	83	70	20	1
18	118.0	109.71	80	35	16	89	50	20	89	70	20	1
19	124.2	115.75	80	35	16	95	50	20	95	70	20	1
20	129.7	121.78	80	35	16	100	50	20	100	70	20	1
21	136.0	127.82	90	40	20	100	50	20	100	70	20	1
22	141.8	133.86	90	40	20	100	50	20	100	70	20	1
23	149.0	139.90	90	40	20	110	50	20	110	70	20	1
24	153.9	145.94	90	40	20	110	50	20	110	70	20	1
25	160.0	152.00	90	40	20	120	50	20	120	70	20	1
26	165.9	158.04	95	40	20	120	50	20	120	70	20	1
27	172.3	164.09	95	40	20	120	50	20	120	70	20	1
28	178.0	170.13	95	40	20	120	50	20	120	70	20	1
29	184.1	176.19	95	40	20	120	50	20	120	70	20	1
30	190.5	182.25	95	40	20	120	50	20	120	70	20	1
31	196.3	188.31	100	40	20	120	50	20	130	70	25	1
32	203.3	194.35	100	40	20	120	50	20	130	70	25	1
33	209.3	200.40	100	40	20	120	50	20	130	70	25	1
34	214.6	206.46	100	40	20	120	50	20	130	70	25	1
35	221.0	212.52	100	40	20	120	50	20	130	70	25	1
36	226.8	218.58	100	40	25	120	50	25	130	70	25	1
37	232.9	224.64	100	40	25	120	50	25	130	70	25	1
38	239.0	230.69	100	40	25	120	50	25	130	70	25	1
39	245.1	236.75	100	40	25	120	50	25	130	70	25	1
40	251.3	242.81	100	40	25	120	50	25	130	70	25	1
38	239.0	230.69	100	56	24	110	63	30	140	70	30	2
45	282.5	273.10	100	56	24	110	63	30	140	70	30	2
57	355.4	345.81	100	56	30	120	63	30	140	70	40	2
76	469.9	460.99	100	56	30	135	63	30	160	75	40	2
95	585.1	576.17	100	65	30	135	70	30	170	82	40	2
114	700.6	691.36	100	65	30	135	70	30	170	82	40	2

CARRETOS 16B (1" x 17.02mm)



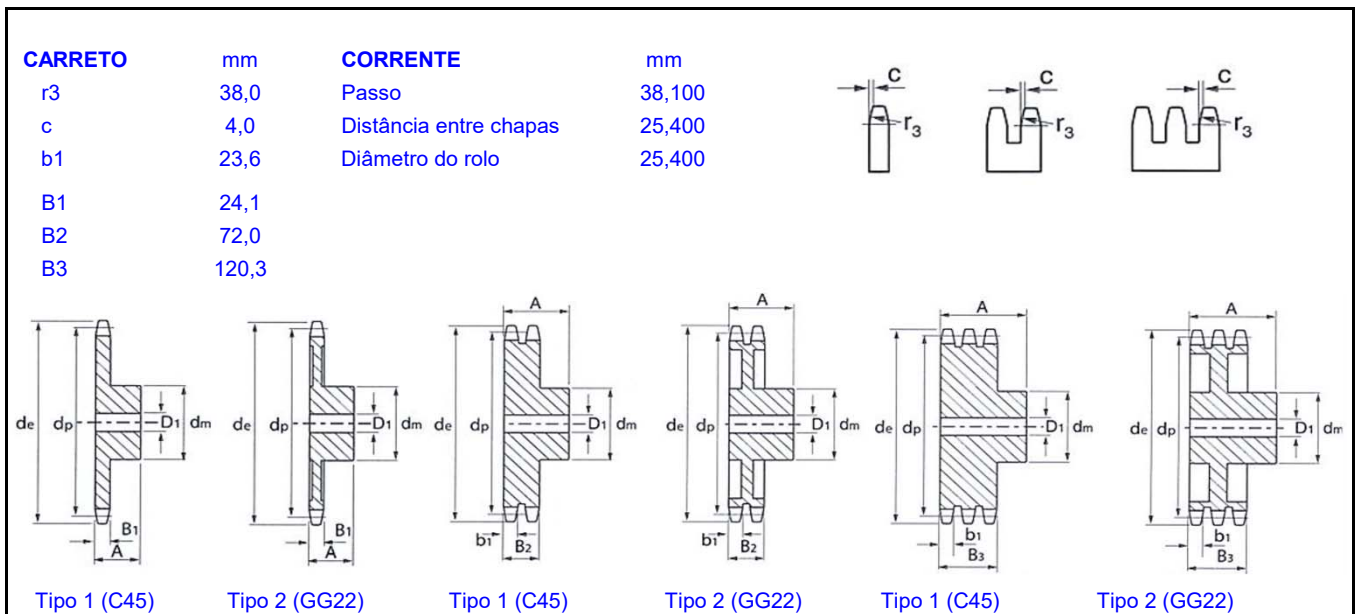
Nº dent.	Diâm.ext.	Diâm.prim.	SIMPLES			DUPLO			TRIPLO			Tipo
			dm	A	D1	dm	A	D1	dm	A	D1	
8	77.0	66.37	42	35	16	42	65	16	42	95	20	1
9	85.0	74.27	50	35	16	50	65	16	50	95	20	1
10	93.0	82.19	55	35	16	56	65	16	56	95	20	1
11	99.5	90.14	61	40	16	64	70	20	64	100	25	1
12	109.0	98.14	69	40	16	72	70	20	72	100	25	1
13	117.0	106.12	78	40	16	80	70	20	80	100	25	1
14	125.0	114.15	84	40	16	88	70	20	88	100	25	1
15	133.0	122.17	92	40	16	96	70	20	96	100	25	1
16	141.0	130.20	100	45	20	104	70	25	104	100	30	1
17	149.0	138.22	100	45	20	112	70	25	112	100	30	1
18	157.0	146.28	100	45	20	120	70	25	120	100	30	1
19	165.2	154.33	100	45	20	128	70	25	128	100	30	1
20	173.2	162.38	100	45	20	130	70	25	130	100	30	1
21	181.2	170.43	110	50	20	130	70	25	130	100	30	1
22	189.3	178.48	110	50	20	130	70	25	130	100	30	1
23	197.5	186.53	110	50	20	130	70	25	130	100	30	1
24	205.5	194.59	110	50	20	130	70	25	130	100	30	1
25	213.5	202.66	110	50	20	130	70	25	130	100	30	1
26	221.6	210.72	120	50	20	130	70	25	130	100	30	1
27	229.6	218.79	120	50	20	130	70	25	130	100	30	1
28	237.7	226.85	120	50	20	130	70	25	130	100	30	1
29	245.8	234.92	120	50	20	130	70	25	130	100	30	1
30	254.0	243.00	120	50	20	130	70	25	130	100	30	1
31	262.0	251.08	120	50	25	140	70	25	140	100	30	1
32	270.0	259.13	120	50	25	140	70	25	140	100	30	1
33	278.5	267.21	120	50	25	140	70	25	140	100	30	1
34	287.0	275.28	120	50	25	140	70	25	140	100	30	1
35	296.2	283.36	120	50	25	140	70	25	140	100	30	1
36	304.6	291.44	120	50	25	140	70	25	140	100	30	1
37	312.6	299.51	120	50	25	140	70	25	140	100	30	1
38	320.7	307.59	120	50	25	140	70	25	140	100	30	1
39	328.8	315.67	120	50	25	140	70	25	140	100	30	1
40	336.9	323.75	120	50	25	140	70	25	140	100	30	1
30	254.0	243.00	110	65	30	125	75	40	145	90	40	2
38	320.0	307.59	110	65	30	140	75	40	160	100	45	2
45	377.0	364.12	125	70	30	150	75	40	160	100	45	2
57	474.0	461.07	125	70	35	170	90	40	165	100	45	2
76	627.0	614.65	140	80	35	175	95	40	200	110	45	2
95	781.0	768.22	140	80	40	175	95	45	200	110	50	2

CARRETOS 20B (1¼" x 3/4")



Nº dent.	Diâm.ext.	Diâm.prim.	SIMPLES			DUPLO			TRIPLO			Tipo
			dm	A	D1	dm	A	D1	dm	A	D1	
8	98.1	82.96	53	40	20	53	75	20	53	110	25	1
9	108.0	92.84	63	40	20	63	75	20	63	110	25	1
10	117.9	102.74	70	40	20	70	75	20	70	110	25	1
11	127.8	112.68	77	45	20	80	80	25	80	115	30	1
12	137.8	122.68	88	45	20	90	80	25	90	115	30	1
13	147.8	132.65	98	45	20	100	80	25	100	115	30	1
14	157.8	142.68	108	45	20	110	80	25	110	115	30	1
15	167.9	152.72	118	45	20	120	80	25	120	115	30	1
16	177.9	162.75	120	50	25	120	80	30	120	115	30	1
17	187.9	172.78	120	50	25	120	80	30	120	115	30	1
18	198.0	182.85	120	50	25	120	80	30	120	115	30	1
19	208.1	192.91	120	50	25	120	80	30	120	115	30	1
20	218.1	202.98	120	50	25	120	80	30	120	115	30	1
21	228.2	213.04	140	55	30	140	80	30	140	115	30	1
22	238.3	223.11	140	55	30	140	80	30	140	115	30	1
23	248.3	233.17	140	55	30	140	80	30	140	115	30	1
24	258.4	243.23	140	55	30	140	80	30	140	115	30	1
25	268.5	253.33	140	55	30	140	80	30	140	115	30	1
26	278.6	263.40	150	55	30	150	80	30	150	115	30	1
27	288.6	273.80	150	55	30	150	80	30	150	115	30	1
28	298.7	283.56	150	55	30	150	80	30	150	115	30	1
29	308.8	293.65	150	55	30	150	80	30	150	115	30	1
30	318.9	303.75	150	55	30	150	80	30	150	115	30	1
31	329.0	313.85	150	55	30	150	80	30	150	115	30	1
32	339.1	323.91	150	55	30	150	80	30	150	115	30	1
33	349.2	334.01	150	55	30	150	80	30	150	115	30	1
34	359.3	334.10	150	55	30	150	80	30	150	115	30	1
35	369.4	354.20	150	55	30	150	80	30	150	115	30	1
36	379.5	364.30	150	55	30	150	80	30	150	115	30	1
37	389.5	374.39	150	55	30	150	80	30	150	115	30	1
38	399.6	384.49	150	55	30	150	80	30	150	115	30	1
39	409.7	394.59	150	55	30	150	80	30	150	115	30	1
40	419.8	404.66	150	55	30	150	80	30	150	115	30	1
30	318.9	303.75	115	70	35	130	80	40	160	100	50	2
38	399.6	384.49	125	70	35	140	90	45	180	110	56	2
45	470.3	455.17	125	70	35	140	90	45	180	110	56	2
57	591.5	576.36	135	80	40	160	100	50	180	125	63	2
76	783.5	768.32	140	90	50	180	100	56	200	140	63	2

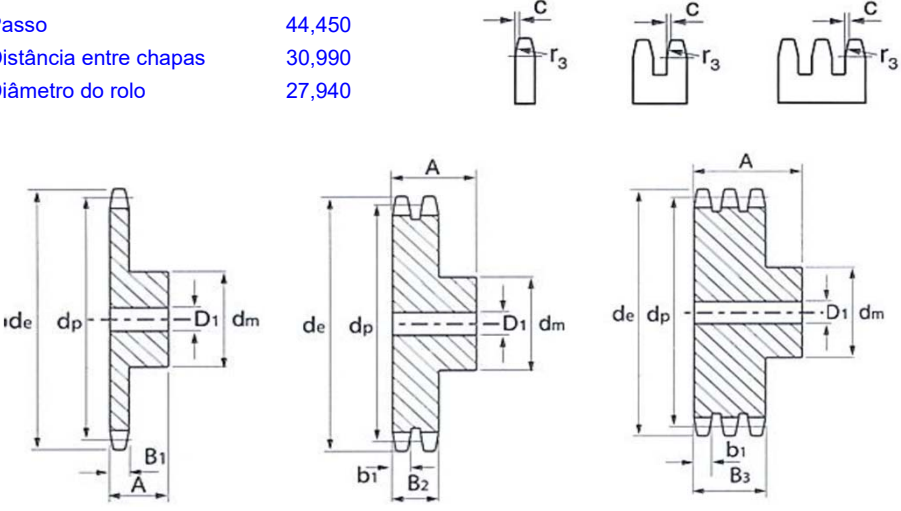
CARRETOS 24B (1½" x 1")



Nº dent.	Diâm.ext.	Diâm.prim.	SIMPLES			DUPLO			TRIPLO			Tipo
			dm	A	D1	dm	A	D1	dm	A	D1	
8	115.0	99.55	58	45	20	58	95	25	58	140	25	1
9	126.4	111.40	70	45	20	70	95	25	70	140	25	1
10	138.0	123.29	80	45	20	80	95	25	80	140	25	1
11	150.0	135.21	90	50	25	90	100	25	90	150	30	1
12	162.0	147.22	102	50	25	102	100	25	102	150	30	1
13	174.2	159.18	114	50	25	114	100	25	114	150	30	1
14	186.2	171.22	128	50	25	128	100	25	128	150	30	1
15	198.2	183.26	140	50	25	140	100	25	132	150	30	1
16	210.3	195.30	140	55	25	140	100	30	136	150	30	1
17	222.3	207.34	140	55	25	150	100	30	140	150	30	1
18	234.3	219.42	140	55	25	150	100	30	150	150	30	1
19	246.5	231.49	140	55	25	160	100	30	160	150	30	1
20	258.6	243.57	140	55	25	160	100	30	160	150	30	1
21	270.6	255.65	150	60	30	160	100	30	160	150	40	1
22	282.7	267.73	150	60	30	160	100	30	160	150	40	1
23	294.8	279.80	150	60	30	160	100	30	160	150	40	1
24	306.8	291.88	150	60	30	160	100	30	160	150	40	1
25	319.0	304.00	150	60	30	160	100	30	160	150	40	1
26	331.0	316.08	160	60	30	160	100	30	160	150	40	1
27	343.2	328.19	160	60	30	160	100	30	160	150	40	1
28	355.2	340.27	160	60	30	160	100	30	160	150	40	1
29	367.3	352.38	160	60	30	160	100	30	160	150	40	1
30	379.5	364.50	160	60	30	160	100	30	160	150	40	1
31	391.6	376.62	160	60	30	160	100	40	160	150	40	1
32	403.7	388.69	160	60	30	160	100	40	160	150	40	1
33	415.8	400.81	160	60	30	160	100	40	160	150	40	1
34	427.8	412.93	160	60	30	160	100	40	160	150	40	1
35	440.0	425.04	160	60	30	160	100	40	160	150	40	1
36	452.0	437.16	160	60	30	160	100	40	160	150	40	1
37	464.2	449.27	160	60	30	160	100	40	160	150	40	1
38	476.2	461.39	160	60	30	160	100	40	160	150	40	1
39	488.5	473.50	160	60	30	160	100	40	160	150	40	1
40	500.6	485.62	160	60	30	160	100	40	160	150	40	1
30	379.5	364.50	130	85	40	160	95	40	180	150	60	2
38	476.2	461.39	140	90	45	180	100	45	200	150	60	2
45	561.2	546.20	140	90	45	180	100	45	200	150	60	2
57	706.5	691.63	160	100	45	200	110	55	200	150	70	2
76	936.9	921.98	170	100	45	220	120	55	-	-	-	2
95	1167.3	1152.33	200	125	50	220	140	55	-	-	-	2

CARRETOS 28B (1 3/4" x 1 1/4")

CARRETO	mm	CORRENTE	mm
r3	44,0	Passo	44,450
c	5,0	Distância entre chapas	30,990
b1	28,8	Diâmetro do rolo	27,940
B1	29,4		
B2	88,4		
B3	148		

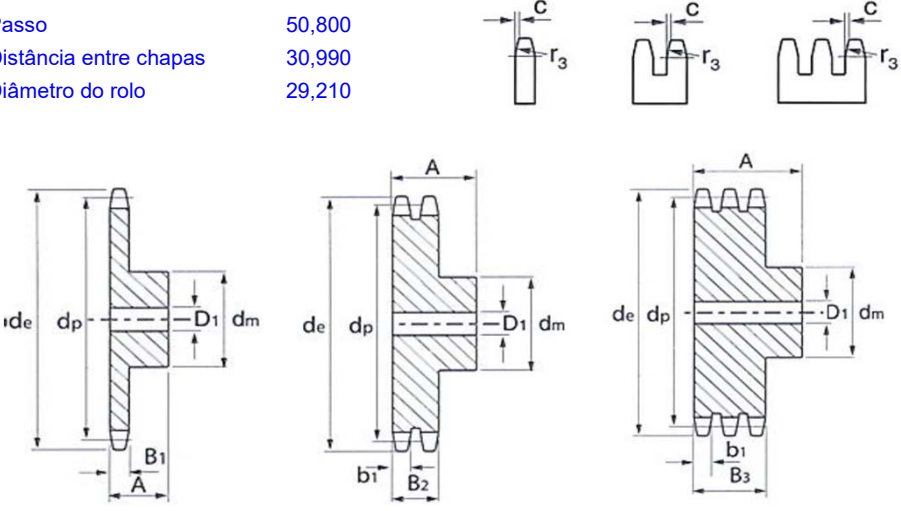


Tipo 1 (C45) Tipo 1 (C45) Tipo 1 (C45)

Nº dent.	Diâm.ext.	Diâm.prim.	SIMPLES			DUPLO			TRIPLO			Tipo
			dm	A	D1	dm	A	D1	dm	A	D1	
8	132.0	116.15	74	70	25	74	120	30	74	180	30	1
9	148.4	129.96	88	70	25	88	120	30	88	180	30	1
10	162.3	143.85	100	70	25	100	120	30	100	180	30	1
11	176.3	157.77	112	70	25	112	120	30	112	180	30	1
12	189.3	171.74	125	70	25	125	120	30	125	180	30	1
13	204.2	185.75	125	70	25	125	120	30	125	180	30	1
14	218.2	199.76	130	70	25	130	120	30	160	180	30	1
15	232.3	213.79	145	70	25	145	120	30	145	180	30	1
16	246.3	227.84	160	75	30	160	120	30	160	180	30	1
17	260.0	241.90	160	75	30	160	120	30	160	180	30	1
18	274.0	255.98	160	75	30	160	120	30	160	180	30	1
19	289.0	270.06	160	75	30	180	120	30	180	180	30	1
20	303.0	284.15	160	75	30	180	120	30	180	180	30	1
21	317.0	298.24	170	75	30	180	120	30	180	180	40	1
22	331.0	312.34	170	75	30	180	120	30	180	180	40	1
23	345.0	326.44	170	75	30	180	120	30	180	180	40	1
24	359.0	340.55	170	75	30	180	120	30	180	180	40	1
25	373.0	354.66	170	75	30	180	120	30	180	180	40	1
26	387.0	368.77	170	75	30	180	120	40	180	180	40	1
27	401.0	382.88	170	75	30	180	120	40	180	180	40	1
28	416.0	397.00	170	75	30	180	120	40	180	180	40	1
29	430.0	411.12	170	75	30	180	120	40	180	180	40	1
30	444.0	425.24	170	75	30	180	120	40	180	180	40	1
31	458.0	439.37	180	75	30	200	120	40	200	180	40	1
32	472.0	453.49	180	75	30	200	120	40	200	180	40	1
33	486.0	467.62	180	75	30	200	120	40	200	180	40	1
34	500.0	481.75	180	75	30	200	120	40	200	180	40	1
35	514.0	495.88	180	75	30	200	120	40	200	180	40	1
36	529.0	510.01	180	75	30	200	120	40	200	180	40	1
37	543.0	524.13	180	75	30	200	120	40	200	180	40	1
38	557.0	538.27	180	75	30	200	120	40	200	180	40	1
39	571.0	552.40	180	75	30	200	120	40	200	180	40	1
40	585.0	566.54	180	75	30	200	120	40	200	180	40	1

CARRETOS 32B (2" x 1¼")

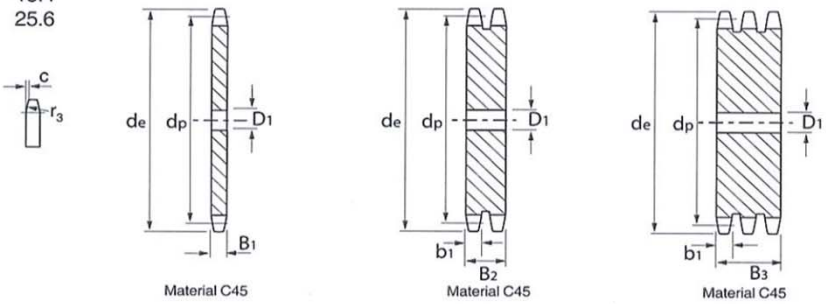
CARRETO	mm	CORRENTE	mm
r3	51,0	Passo	50,800
c	6,0	Distância entre chapas	30,990
b1	28,8	Diâmetro do rolo	29,210
B1	29,4		
B2	87,4		
B3	146		



Nº dent.	Diâm.ext.	Diâm.prim.	SIMPLES			DUPLO			TRIPLO			Tipo
			dm	A	D1	dm	A	D1	dm	A	D1	
8	153.2	132.74	85	80	30	85	120	30	85	180	30	1
9	169.0	148.54	100	80	30	100	120	30	100	180	30	1
10	185.0	164.39	115	80	30	115	120	30	115	180	30	1
11	200.8	180.31	125	80	30	125	120	35	125	180	35	1
12	216.8	196.29	133	80	30	133	120	35	133	180	35	1
13	232.8	212.29	145	80	30	145	120	35	145	180	35	1
14	248.8	228.29	155	80	30	155	120	35	155	180	35	1
15	264.8	244.30	160	80	30	160	120	35	160	180	35	1
16	280.9	260.40	160	90	30	160	120	40	160	180	40	1
17	296.9	276.46	170	90	30	180	120	40	180	180	40	1
18	313.0	292.55	170	90	30	180	120	40	180	180	40	1
19	329.1	308.66	170	90	30	200	120	40	200	180	40	1
20	345.2	324.71	180	90	30	200	120	40	200	180	40	1
21	361.3	340.82	180	90	40	200	120	40	200	180	40	1
22	377.5	356.98	180	90	40	200	120	40	200	180	40	1
23	393.6	373.08	180	90	40	200	120	40	200	180	40	1
24	409.7	389.18	180	90	40	200	120	40	200	180	40	1
25	425.8	405.33	180	90	40	200	120	40	200	180	40	1
26	441.9	421.44	180	90	40	200	120	40	200	180	40	1
27	458.1	437.59	180	90	40	200	120	40	200	180	40	1
28	474.2	453.69	180	90	40	200	120	40	200	180	40	1
29	492.0	469.85	180	90	40	-	-	-	-	-	-	1
30	506.5	486.00	180	90	40	200	120	40	200	180	40	1
32	538.8	518.27	180	90	40	-	-	-	-	-	-	1
35	589.5	566.71	180	90	40	-	-	-	-	-	-	1
38	635.5	615.16	180	90	40	-	-	-	-	-	-	1
40	670.3	647.47	180	90	40	-	-	-	-	-	-	1

DISCOS 06B (3/8" x 7/32")

SPROCKET		CHAIN	
	m m		m m
Tooth Radius r_3	10.0	Pitch	9.525
Chamfer c	1.0	Width Between Inner Plates	5.720
Tooth Width b1	5.2	Roller Diameter	6.350
Tooth Width B1	5.3		
Tooth Width B2	15.4		
Tooth Width B3	25.6		



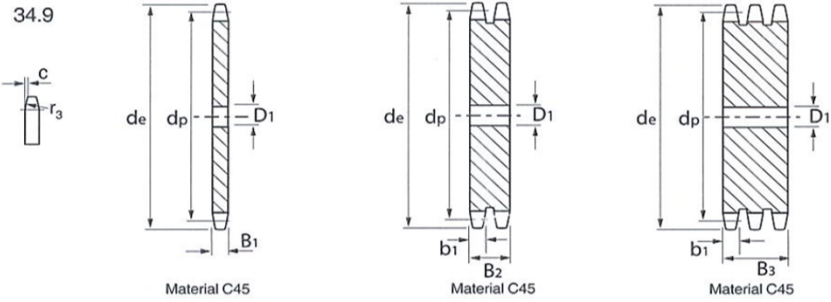
Material C45 Material C45 Material C45

Teeth	Outer Dia de	Pitch Dia dp	Simplex Stock Bore D1	Duplex Stock Bore D1	Triplex Stock Bore D1
8	28.0	24.89	6	8	8
9	31.0	27.85	7	8	8
10	34.0	30.82	7	8	10
11	37.0	33.80	8	10	12
12	40.0	36.80	8	10	12
13	43.0	39.80	8	10	12
14	46.3	42.80	8	10	12
15	49.3	45.81	8	10	12
16	52.3	48.82	10	12	12
17	55.3	51.83	10	12	12
18	58.3	54.85	10	12	12
19	61.3	57.87	10	12	12
20	64.3	60.89	10	12	12
21	68.0	63.91	12	12	16
22	71.0	66.93	12	12	16
23	73.5	69.95	12	12	16
24	77.0	72.97	12	12	16
25	80.0	76.00	12	12	16
26	83.0	79.02	12	16	16
27	86.0	82.04	12	16	16
28	89.0	85.07	12	16	16
29	92.0	88.09	12	16	16
30	94.7	91.12	12	16	16
31	98.3	94.15	16	16	16
32	101.3	97.17	16	16	16
33	104.3	100.20	16	16	16
34	107.3	103.23	16	16	16
35	110.4	106.26	16	16	16
36	113.4	109.29	16	16	20
37	116.4	112.32	16	16	20
38	119.5	115.35	16	16	20
39	122.5	118.37	16	16	20
40	125.5	121.40	16	16	20
41	128.5	124.43	16	20	20
42	131.6	127.46	16	20	20
43	134.6	130.49	16	20	20

Teeth	Outer Dia de	Pitch Dia dp	Simplex Stock Bore D1	Duplex Stock Bore D1	Triplex Stock Bore D1
44	137.6	133.52	16	20	20
45	140.7	136.54	16	20	20
46	143.7	139.58	20	20	20
47	146.7	142.61	20	20	20
48	149.7	145.64	20	20	20
49	152.7	148.66	20	20	20
50	155.7	151.69	20	20	20
51	158.7	154.72	20	20	20
52	161.8	157.75	20	20	20
53	164.8	160.78	20	20	20
54	167.8	163.82	20	20	20
55	170.8	166.85	20	20	20
56	173.8	169.88	20	20	25
57	176.9	172.91	20	20	25
58	179.9	175.93	20	20	25
59	183.0	178.96	20	20	25
60	186.0	181.99	20	20	25
62	192.1	188.06	20	25	25
64	198.2	194.12	20	25	25
65	201.6	197.15	20	25	25
66	204.6	200.18	20	25	25
68	210.7	206.24	20	25	25
70	216.7	212.30	20	25	25
72	222.8	218.37	20	25	25
75	231.9	227.46	20	25	25
76	234.9	230.49	20	25	25
78	241.0	236.55	20	25	25
80	247.1	242.61	20	25	25
85	262.2	257.77	25	25	25
90	277.4	272.93	25	25	25
95	292.5	288.08	25	25	25
100	307.7	303.25	25	25	25
110	338.0	333.55	25	25	25
114	349.5	345.68	25	25	25
120	368.3	363.86	25	25	25
125	383.5	379.02	25	25	25

DISCOS 08B (1/2" x 5/16")

SPROCKET		CHAIN	
	m m		m m
Tooth Radius r3	13.0	Pitch	12.700
Chamfer c	1.3	Width Between Inner Plates	7.750
Tooth Width b1	7.0	Roller Diameter	8.510
Tooth Width B1	7.2		
Tooth Width B2	21.0		
Tooth Width B3	34.9		

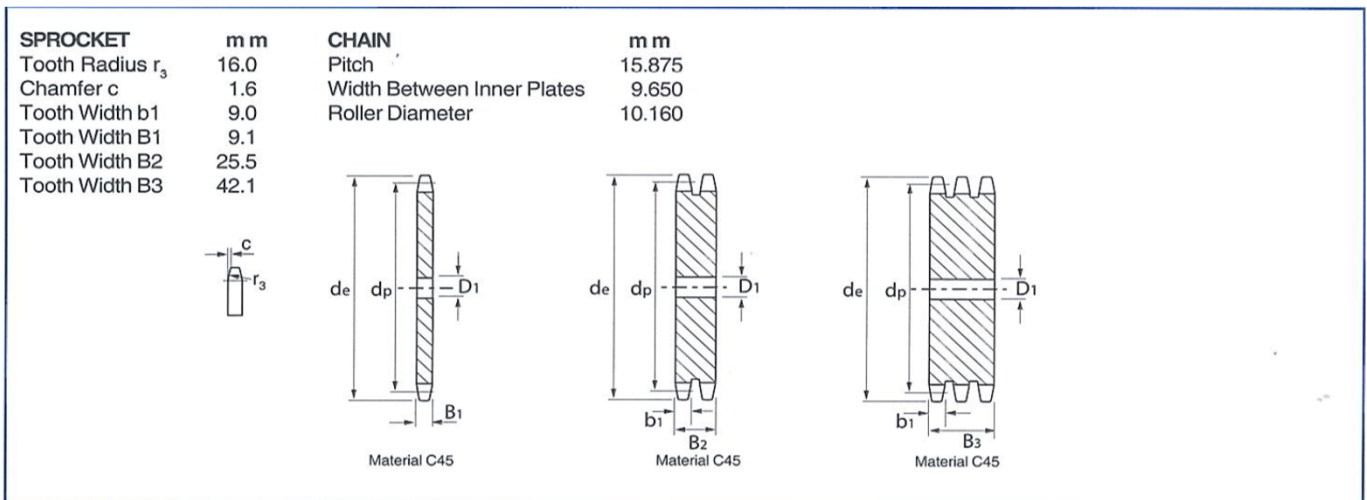


Material C45 Material C45 Material C45

Teeth	Outer Dia de	Pitch Dia dp	Simplex Stock Bore D1	Duplex Stock Bore D1	Triplex Stock Bore D1
8	37.2	33.18	8	10	10
9	41.0	37.13	8	10	10
10	45.2	41.10	8	10	10
11	48.7	45.07	10	10	12
12	53.0	49.07	10	10	12
13	57.4	53.06	10	10	12
14	61.8	57.07	10	10	12
15	65.5	61.09	10	10	12
16	69.5	65.10	10	12	16
17	73.6	69.11	10	12	16
18	77.8	73.14	10	12	16
19	81.7	77.16	10	12	16
20	85.8	81.19	10	12	16
21	89.7	85.22	12	16	16
22	93.8	89.24	12	16	16
23	98.2	93.27	12	16	16
24	101.8	97.29	12	16	16
25	105.8	101.33	12	16	16
26	110.0	105.36	16	16	16
27	114.0	109.40	16	16	16
28	118.0	113.42	16	16	16
29	122.0	117.46	16	16	16
30	126.1	121.50	16	16	16
31	130.2	125.54	16	16	20
32	134.3	129.56	16	16	20
33	138.4	133.60	16	16	20
34	142.6	137.64	16	16	20
35	146.7	141.68	16	16	20
36	151.0	145.72	16	20	20
37	154.6	149.76	16	20	20
38	158.6	153.80	16	20	20
39	162.7	157.83	16	20	20
40	166.8	161.87	16	20	20
41	171.4	165.91	20	20	25
42	175.4	169.95	20	20	25
43	179.7	173.99	20	20	25

Teeth	Outer Dia de	Pitch Dia dp	Simplex Stock Bore D1	Duplex Stock Bore D1	Triplex Stock Bore D1
44	183.8	178.03	20	20	25
45	188.0	182.07	20	20	25
46	192.1	186.10	20	20	25
47	196.2	190.14	20	20	25
48	200.3	194.18	20	20	25
49	204.3	198.22	20	20	25
50	208.3	202.26	20	20	25
51	212.1	206.30	20	25	25
52	216.1	210.34	20	25	25
53	220.2	214.37	20	25	25
54	224.1	218.43	20	25	25
55	228.1	222.46	20	25	25
56	232.2	226.50	20	25	25
57	236.4	230.54	20	25	25
58	240.5	234.58	20	25	25
59	244.5	238.62	20	25	25
60	248.6	242.66	20	25	25
62	256.9	250.75	25	25	25
64	265.1	258.82	25	25	25
65	269.0	262.86	25	25	25
66	273.0	266.90	25	25	25
68	281.0	274.99	25	25	25
70	289.0	283.07	25	25	25
72	297.2	291.16	25	25	25
75	309.2	303.27	25	25	25
76	313.2	307.33	25	25	25
78	321.4	315.40	25	25	25
80	329.4	323.48	25	25	25
85	349.0	343.69	25	25	25
90	369.9	363.90	25	25	25
95	390.1	384.11	25	25	25
100	410.3	404.31	25	25	25
110	450.7	444.74	25	25	25
114	466.9	460.90	25	25	25
120	491.2	485.16	25	25	25
125	511.3	505.37	25	25	25

DISCOS 10B (5/8" x 3/8")

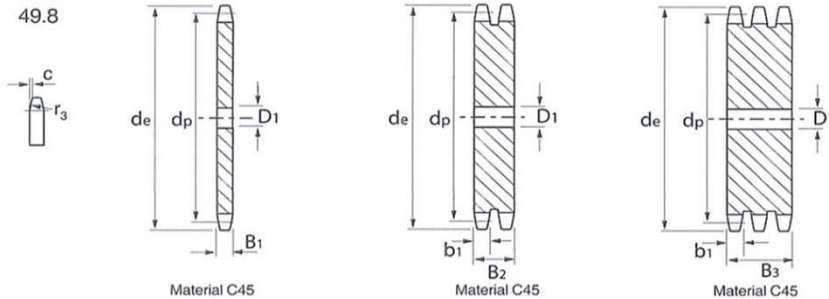


Teeth	Outer Dia d_e	Pitch Dia d_p	Simplex Stock Bore D1	Duplex Stock Bore D1	Triplex Stock Bore D1
8	47.0	41.48	10	10	12
9	52.6	46.42	10	10	12
10	57.5	51.37	10	10	12
11	63.0	56.34	10	12	12
12	68.0	61.34	10	12	12
13	73.0	66.32	10	12	12
14	78.0	71.34	10	12	12
15	83.0	76.36	10	12	12
16	88.0	81.37	12	12	16
17	93.0	86.39	12	12	16
18	98.3	91.42	12	12	16
19	103.3	96.45	12	12	16
20	108.4	101.49	12	12	16
21	113.4	106.52	12	16	16
22	118.0	111.55	12	16	16
23	123.4	116.58	12	16	16
24	128.3	121.62	12	16	16
25	134.0	126.66	12	16	16
26	139.0	131.70	16	16	20
27	144.0	136.75	16	16	20
28	148.7	141.78	16	16	20
29	153.8	146.83	16	16	20
30	158.8	151.87	16	16	20
31	163.9	156.92	16	20	20
32	168.9	161.95	16	20	20
33	174.5	167.00	16	20	20
34	179.0	172.05	16	20	20
35	184.1	177.10	16	20	20
36	189.1	182.15	20	20	25
37	194.2	187.20	20	20	25
38	199.2	192.24	20	20	25
39	204.2	197.29	20	20	25
40	209.3	202.34	20	20	25
41	214.8	207.39	20	20	25
42	219.9	212.44	20	20	25
43	224.9	217.49	20	20	25

Teeth	Outer Dia d_e	Pitch Dia d_p	Simplex Stock Bore D1	Duplex Stock Bore D1	Triplex Stock Bore D1
44	230.0	222.53	20	20	25
45	235.0	227.58	20	20	25
46	240.1	232.63	20	25	25
47	245.1	237.68	20	25	25
48	250.2	242.73	20	25	25
49	255.2	247.78	20	25	25
50	260.3	252.82	20	25	25
51	265.3	257.87	20	25	25
52	270.4	262.92	20	25	25
53	275.4	267.97	20	25	25
54	280.5	273.03	20	25	25
55	285.5	278.08	20	25	25
56	290.6	283.13	25	25	25
57	296.0	288.18	25	25	25
58	300.7	293.23	25	25	25
59	305.7	298.27	25	25	25
60	310.8	303.32	25	25	25
62	321.4	313.43	25	25	30
64	331.5	323.83	25	25	30
65	336.5	328.58	25	25	30
66	341.6	333.63	25	25	30
68	351.7	343.74	25	25	30
70	361.8	353.84	25	25	30
72	371.9	363.95	25	25	30
75	387.1	379.09	25	25	30
76	392.1	384.16	25	25	30
78	402.2	394.25	25	25	30
80	412.3	404.35	25	25	30
85	437.6	429.62	30	30	30
90	462.8	454.88	30	30	30
95	488.5	480.14	30	30	30
100	513.4	505.40	30	30	30
110	563.9	555.92	30	30	30
114	584.1	576.13	30	30	30
120	614.8	606.44	30	30	30
125	639.7	631.71	30	30	30

DISCOS 12B (3/4" x 7/16")

SPROCKET	m m	CHAIN	m m
Tooth Radius r_3	19.0	Pitch	19.050
Chamfer c	2.0	Width Between Inner Plates	11.680
Tooth Width b1	10.8	Roller Diameter	12.070
Tooth Width B1	11.1		
Tooth Width B2	30.3		
Tooth Width B3	49.8		



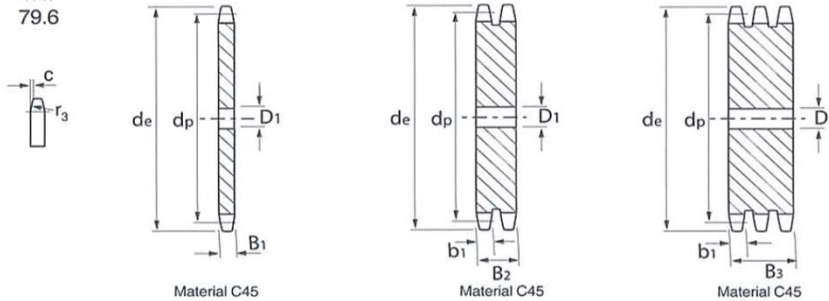
Teeth	Outer Dia de	Pitch Dia dp	Simplex Stock Bore D1	Duplex Stock Bore D1	Triplex Stock Bore D1
8	57.6	49.78	12	12	12
9	62.0	55.70	12	12	12
10	69.0	61.64	12	12	12
11	75.0	67.61	14	14	16
12	81.5	73.10	14	14	16
13	87.5	79.59	14	14	16
14	93.6	85.61	14	14	16
15	99.8	91.63	14	14	16
16	105.5	97.65	14	16	16
17	111.5	103.67	14	16	16
18	118.0	109.71	14	16	16
19	124.2	115.75	14	16	16
20	129.7	121.78	14	16	16
21	136.0	127.82	16	16	20
22	141.8	133.86	16	16	20
23	149.0	139.90	16	16	20
24	153.9	145.94	16	16	20
25	160.0	152.00	16	16	20
26	165.9	158.04	16	20	20
27	172.3	164.09	16	20	20
28	178.0	170.13	16	20	20
29	184.1	176.19	16	20	20
30	190.5	182.25	16	20	20
31	196.3	188.31	20	20	25
32	203.3	194.35	20	20	25
33	209.3	200.40	20	20	25
34	214.6	206.46	20	20	25
35	221.0	212.52	20	20	25
36	226.8	218.58	20	25	25
37	232.9	224.64	20	25	25
38	239.0	230.69	20	25	25
39	245.1	236.75	20	25	25
40	251.3	242.81	20	25	25
41	257.3	248.87	25	25	25
42	264.5	254.93	25	25	25
43	270.5	260.98	25	25	25

Teeth	Outer Dia de	Pitch Dia dp	Simplex Stock Bore D1	Duplex Stock Bore D1	Triplex Stock Bore D1
44	276.5	267.04	25	25	25
45	282.5	273.10	25	25	25
46	287.9	279.16	25	25	25
47	294.0	285.21	25	25	25
48	300.1	291.27	25	25	25
49	306.2	297.33	25	25	25
50	312.3	303.39	25	25	25
51	318.4	309.45	25	25	25
52	324.5	315.50	25	25	25
53	330.5	321.56	25	25	25
54	336.6	327.64	25	25	25
55	342.7	333.70	25	25	25
56	348.7	339.75	25	25	30
57	355.4	345.81	25	25	30
58	361.5	351.87	25	25	30
59	367.5	357.93	25	25	30
60	373.0	363.99	25	25	30
62	385.1	376.12	25	30	30
64	397.2	388.24	25	30	30
65	403.2	394.29	25	30	30
66	409.2	400.35	30	30	30
68	421.4	412.49	30	30	30
70	433.6	424.60	30	30	30
72	447.0	436.74	30	30	30
75	463.9	454.91	30	30	30
76	469.9	460.99	30	30	30
78	482.1	473.10	30	30	30
80	494.2	485.22	30	30	30
85	524.5	515.55	30	30	30
90	554.8	545.86	30	30	30
95	585.1	576.17	30	30	30
100	615.4	606.47	30	30	30
110	676.1	667.11	30	30	30
114	700.6	691.36	30	30	30
120	736.7	727.74	30	30	30
125	767.0	758.05	30	30	30

DISCOS 16B (1" x 17.02mm)

SPROCKET	m m
Tooth Radius r_3	26.0
Chamfer c	2.5
Tooth Width b1	15.8
Tooth Width B1	16.2
Tooth Width B2	47.7
Tooth Width B3	79.6

CHAIN	m m
Pitch	25.400
Width Between Inner Plates	17.020
Roller Diameter	15.880

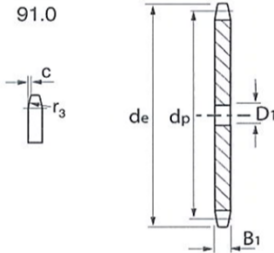


Teeth	Outer Dia de	Pitch Dia dp	Simplex Stock Bore D1	Duplex Stock Bore D1	Triplex Stock Bore D1
8	77.0	66.37	12	16	20
9	85.0	74.27	12	16	20
10	93.0	82.19	12	16	20
11	99.5	90.14	16	20	20
12	109.0	98.14	16	20	20
13	117.0	106.12	16	20	20
14	125.0	114.15	16	20	20
15	133.0	122.17	16	20	20
16	141.0	130.20	20	20	30
17	149.0	138.22	20	20	30
18	157.0	146.28	20	20	30
19	165.2	154.33	20	20	30
20	173.2	162.38	20	20	30
21	181.2	170.43	20	25	30
22	189.3	178.48	20	25	30
23	197.5	186.53	20	25	30
24	205.5	194.59	20	25	30
25	213.5	202.66	20	25	30
26	221.6	210.72	20	25	30
27	229.6	218.79	20	25	30
28	237.7	226.85	20	25	30
29	245.8	234.92	20	25	30
30	254.0	243.00	20	25	30
31	262.0	251.08	25	25	30
32	270.0	259.13	25	25	30
33	278.5	267.21	25	25	30
34	287.0	275.28	25	25	30
35	296.2	283.36	25	25	30
36	304.6	291.44	25	25	30
37	312.6	299.51	25	25	30
38	320.7	307.59	25	25	30
39	328.8	315.67	25	25	30
40	336.9	323.75	25	25	30
41	345.0	331.82	25	-	-
42	353.0	339.90	25	25	30
43	361.1	347.98	25	25	-

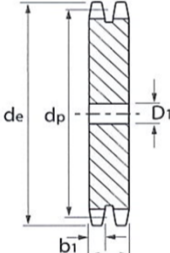
Teeth	Outer Dia de	Pitch Dia dp	Simplex Stock Bore D1	Duplex Stock Bore D1	Triplex Stock Bore D1
44	369.1	356.06	25	25	30
45	377.1	364.13	25	25	30
46	385.2	372.21	25	30	30
47	393.2	380.29	25	-	-
48	401.3	388.36	25	30	30
49	409.3	396.44	25	-	-
50	417.4	404.52	25	30	30
51	425.5	412.60	30	30	40
52	433.6	420.67	30	30	40
53	441.7	428.75	30	-	-
54	448.3	436.85	30	-	-
55	457.9	444.93	30	30	40
56	466.0	453.01	30	40	40
57	474.0	461.07	30	40	40
58	482.1	469.16	30	-	-
59	490.2	477.24	30	-	-
60	498.3	485.32	30	40	40
62	514.5	501.50	30	40	-
64	530.7	517.65	30	-	-
65	538.8	525.73	30	40	40
66	546.8	533.80	30	-	-
68	562.9	549.98	30	40	40
70	579.2	566.14	30	40	40
72	595.4	582.32	30	40	40
75	619.7	606.55	30	40	40
76	627.0	614.65	30	40	40
78	643.3	630.80	30	-	-
80	660.0	646.96	30	40	40
85	699.9	687.40	30	40	40
90	740.3	727.81	30	40	40
95	781.1	768.22	30	40	40
100	821.1	808.63	30	40	40
110	902.0	889.48	30	40	40
114	934.3	921.81	30	40	40
120	982.8	970.33	30	40	40
125	1023.2	1010.73	30	40	40

DISCOS 20B (1 1/4" x 3/4")

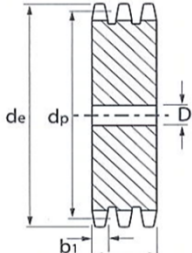
SPROCKET	m m	CHAIN	m m
Tooth Radius r3	32.0	Pitch	31.750
Chamfer c	3.5	Width Between Inner Plates	19.560
Tooth Width b1	18.2	Roller Diameter	19.050
Tooth Width B1	18.5		
Tooth Width B2	54.6		
Tooth Width B3	91.0		



Material C45



Material C45



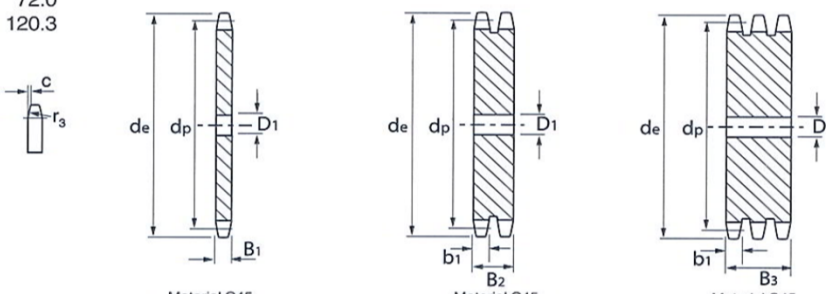
Material C45

Teeth	Outer Dia de	Pitch Dia dp	Simplex Stock Bore D1	Duplex Stock Bore D1	Triplex Stock Bore D1
8	98.1	82.96	16	20	20
9	108.0	92.84	16	20	20
10	117.9	102.74	16	20	20
11	127.8	112.68	20	20	25
12	137.8	122.68	20	20	25
13	147.8	132.65	20	20	25
14	157.8	142.68	20	20	25
15	167.9	152.72	20	20	25
16	177.9	162.75	20	30	30
17	187.9	172.78	20	30	30
18	198.0	182.85	20	30	30
19	208.1	192.91	20	30	30
20	218.1	202.98	20	30	30
21	228.2	213.04	25	30	30
22	238.3	223.11	25	30	30
23	248.3	233.17	25	30	30
24	258.4	243.23	25	30	30
25	268.5	253.33	25	30	30
26	278.6	263.40	30	30	30
27	288.6	273.40	30	30	30
28	298.7	283.56	30	30	30
29	308.8	293.65	30	30	30
30	318.9	303.75	30	30	30
31	329.0	313.85	30	30	30
32	339.1	323.91	30	30	30
33	349.2	334.01	30	30	30
34	359.3	344.10	30	30	30
35	369.4	354.20	30	30	30
36	379.5	364.30	30	30	30
37	389.5	374.39	30	30	30
38	399.6	384.49	30	30	30
39	409.7	394.59	30	30	30
40	419.8	404.66	30	30	30
41	429.9	414.78	30	-	-

Teeth	Outer Dia de	Pitch Dia dp	Simplex Stock Bore D1	Duplex Stock Bore D1	Triplex Stock Bore D1
42	440.0	424.80	30	30	40
43	450.1	434.97	30	-	-
44	460.2	445.07	30	-	-
45	470.3	455.07	30	30	40
46	480.4	465.26	30	30	40
47	490.5	475.36	30	-	-
48	500.6	485.46	30	30	40
49	510.7	495.55	30	-	-
50	520.8	505.65	30	30	40
51	530.9	515.75	30	-	-
52	541.0	525.84	30	40	40
53	551.1	535.94	30	-	-
54	561.2	546.07	30	-	-
55	571.3	556.16	30	40	40
56	581.4	566.26	30	-	-
57	591.5	576.36	30	40	40
58	601.6	586.45	30	-	-
59	611.7	596.55	30	-	-
60	621.8	606.65	30	40	40
62	642.0	626.87	30	-	-
64	662.2	647.06	30	-	-
65	672.3	657.16	30	40	40
66	682.4	667.26	30	-	-
68	702.6	687.48	30	-	-
70	722.8	707.67	30	40	40
72	743.1	727.90	30	-	-
75	773.3	758.19	30	-	-
76	783.5	768.32	30	40	40
80	823.9	808.72	30	40	40
85	874.4	859.25	30	-	-
90	924.9	909.76	30	-	-
95	975.2	960.28	30	40	40
100	1026.0	1010.79	40	-	-
114	1167.4	1152.26	40	40	40

DISCOS 24B (1½" x 1")

SPROCKET		CHAIN	
	m m		m m
Tooth Radius r_3	38.0	Pitch	38.100
Chamfer c	4.0	Width Between Inner Plates	25.400
Tooth Width b_1	23.6	Roller Diameter	25.400
Tooth Width B_1	24.1		
Tooth Width B_2	72.0		
Tooth Width B_3	120.3		

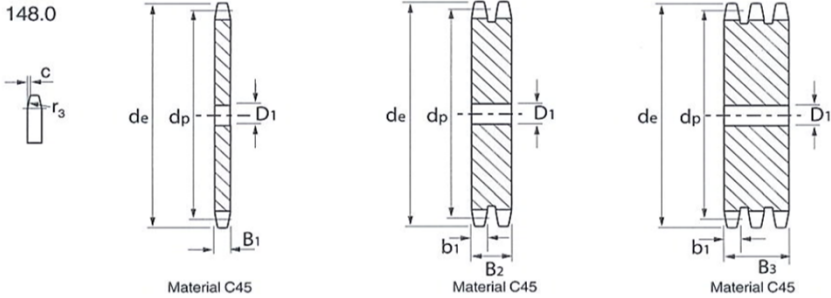


Teeth	Outer Dia d_e	Pitch Dia d_p	Simplex	Duplex	Triplex
			Stock Bore D1	Stock Bore D1	Stock Bore D1
8	115.0	99.50	20	25	25
9	126.4	111.40	20	25	25
10	138.0	123.90	20	25	25
11	150.0	135.21	25	25	30
12	162.0	147.22	25	25	30
13	174.2	159.18	25	25	30
14	186.2	171.22	25	25	30
15	198.2	183.26	25	25	30
16	210.3	195.30	25	30	30
17	222.3	207.34	25	30	30
18	234.3	219.42	25	30	30
19	246.5	231.49	25	30	30
20	258.6	243.57	25	30	30
21	270.6	255.65	30	30	40
22	282.7	267.73	30	30	40
23	294.8	279.80	30	30	40
24	306.8	291.88	30	30	40
25	319.0	304.00	30	30	40
26	331.0	316.08	30	30	40
27	343.2	328.19	30	30	40
28	355.2	340.27	30	30	40
29	367.3	352.38	30	30	40
30	379.5	364.50	30	30	40
31	391.6	376.62	30	40	40
32	403.7	388.69	30	40	40
33	415.8	400.81	30	40	40
34	427.8	412.93	30	40	40
35	440.0	425.04	30	40	40
36	452.0	437.16	30	40	40
37	464.2	449.27	30	40	40
38	476.2	461.39	30	40	40
39	488.5	473.50	30	40	40
40	500.6	485.62	30	40	40

Teeth	Outer Dia d_e	Pitch Dia d_p	Simplex	Duplex	Triplex
			Stock Bore D1	Stock Bore D1	Stock Bore D1
41	512.6	497.74	30	-	-
42	524.7	509.85	30	40	40
43	536.8	521.97	30	-	-
44	549.0	534.08	30	-	-
45	561.2	546.20	30	40	40
46	573.3	558.32	30	40	40
47	585.4	570.43	30	-	-
48	597.4	582.55	30	40	40
49	609.5	594.66	30	-	-
50	621.7	606.78	30	40	40
51	633.8	618.89	30	-	-
52	646.0	631.01	30	-	-
53	658.0	643.13	30	-	-
54	670.2	655.25	30	-	-
55	682.3	667.40	30	40	40
56	694.4	679.50	30	-	-
57	706.5	691.73	30	40	40
58	718.6	703.74	30	-	-
59	730.7	715.86	30	-	-
60	742.8	727.97	30	40	40
62	767.2	752.24	40	-	-
64	791.3	776.48	40	-	-
65	803.4	788.59	40	40	40
66	815.6	800.17	40	-	-
68	839.8	824.98	40	-	-
70	864.2	849.21	40	-	-
72	888.4	873.48	40	-	-
75	924.8	909.83	40	-	-
76	936.9	921.98	40	40	40
80	985.4	970.44	40	-	-
85	1046.0	1031.10	40	-	-
95	1167.3	1152.33	40	-	-

DISCOS 28B (1 3/4" x 1 1/4")

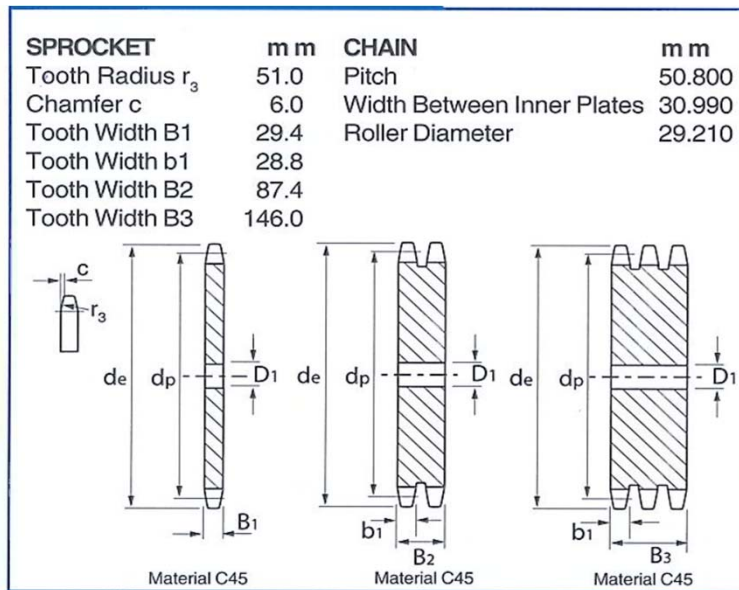
SPROCKET		CHAIN	
	m m		m m
Tooth Radius r_3	44.0	Pitch	44.450
Chamfer c	5.0	Width Between Inner Plates	30.990
Tooth Width B1	29.4	Roller Diameter	27.940
Tooth Width b1	28.8		
Tooth Width B2	88.4		
Tooth Width B3	148.0		



Teeth	Outer Dia de	Pitch Dia dp	Simplex Stock Bore D1	Duplex Stock Bore D1	Triplex Stock Bore D1
8	132.0	116.15	25	25	25
9	148.4	129.96	25	25	25
10	162.3	143.85	25	25	25
11	176.3	157.77	25	30	30
12	189.3	171.74	25	30	30
13	204.2	185.75	25	30	30
14	218.2	199.76	25	30	30
15	232.3	213.79	25	30	30
16	246.3	227.84	30	30	30
17	260.0	241.90	30	30	30
18	274.0	255.98	30	30	30
19	289.0	270.06	30	30	30
20	303.0	284.15	30	30	30
21	317.0	298.24	30	30	40
22	331.0	312.34	30	30	40
23	345.0	326.44	30	30	40
24	359.0	340.55	30	30	40
25	373.0	354.66	30	30	40
26	387.0	368.77	30	40	40

Teeth	Outer Dia de	Pitch Dia dp	Simplex Stock Bore D1	Duplex Stock Bore D1	Triplex Stock Bore D1
27	401.0	382.77	30	40	40
28	416.0	397.00	30	40	40
29	430.0	411.12	30	40	40
30	444.0	425.24	30	40	40
31	458.0	439.37	30	40	40
32	472.0	453.49	30	40	40
33	486.0	467.62	30	40	40
34	500.0	481.75	30	40	40
35	514.0	495.88	30	40	40
36	529.0	510.01	30	40	40
37	543.0	524.13	30	40	40
38	557.0	538.27	30	40	40
39	571.0	552.40	30	40	40
40	585.0	566.54	30	40	40
45	656.0	637.22	30	40	40
50	726.0	707.91	30	40	40
57	825.0	806.90	40	40	40
60	869.0	849.32	40	40	40
76	1095.0	1075.62	40	40	40

DISCOS 32B (2" x 1¼")



Teeth	Outer Dia d_e	Pitch Dia d_p	Simplex Stock Bore D1	Duplex Stock Bore D1	Triplex Stock Bore D1
8	153.2	132.74	25	25	25
9	169.0	148.54	25	25	25
10	185.0	164.39	25	25	25
11	200.8	180.31	30	35	35
12	216.8	196.29	30	35	35
13	232.8	212.29	30	35	35
14	248.8	228.29	30	35	35
15	264.8	244.30	30	35	35
16	280.9	260.40	30	40	40
17	296.9	276.46	30	40	40
18	313.0	292.55	30	40	40
19	329.1	308.66	30	40	40
20	345.2	324.71	30	40	40
21	361.3	340.82	40	40	40
22	377.5	356.98	40	40	40
23	393.6	373.08	40	40	40
24	409.7	389.18	40	40	40
25	425.8	405.33	40	40	40
26	441.9	421.44	40	40	40
27	458.1	437.69	40	40	40
28	474.2	453.69	40	40	40
29	490.2	469.85	40	40	40
30	506.5	486.00	40	40	40
32	538.8	518.27	40	40	40
35	589.5	566.71	40	40	40
38	635.5	615.16	40	40	40
40	670.3	647.47	40	40	40
45	751.0	728.24	40	40	40
50	831.8	809.04	40	40	40
57	945.0	922.16	40	40	40
60	993.4	970.65	40	40	40
76	1252.0	1229.27	40	40	40

CARRETOS 06B (3/8" x 7/32") para TAPER LOCK

SPROCKET		CHAIN	
	m m		m m
Tooth Radius r_3	10.0	Pitch	9.525
Chamfer c	1.0	Width Between Inner Plates	5.720
Tooth Width b1	5.2	Roller Diameter	6.350
Tooth Width B1	5.3		
Tooth Width B2	15.4		
Tooth Width B3	25.6		

Type 1 (C45)

Type 2 (GG22)

Type 3 (C45)

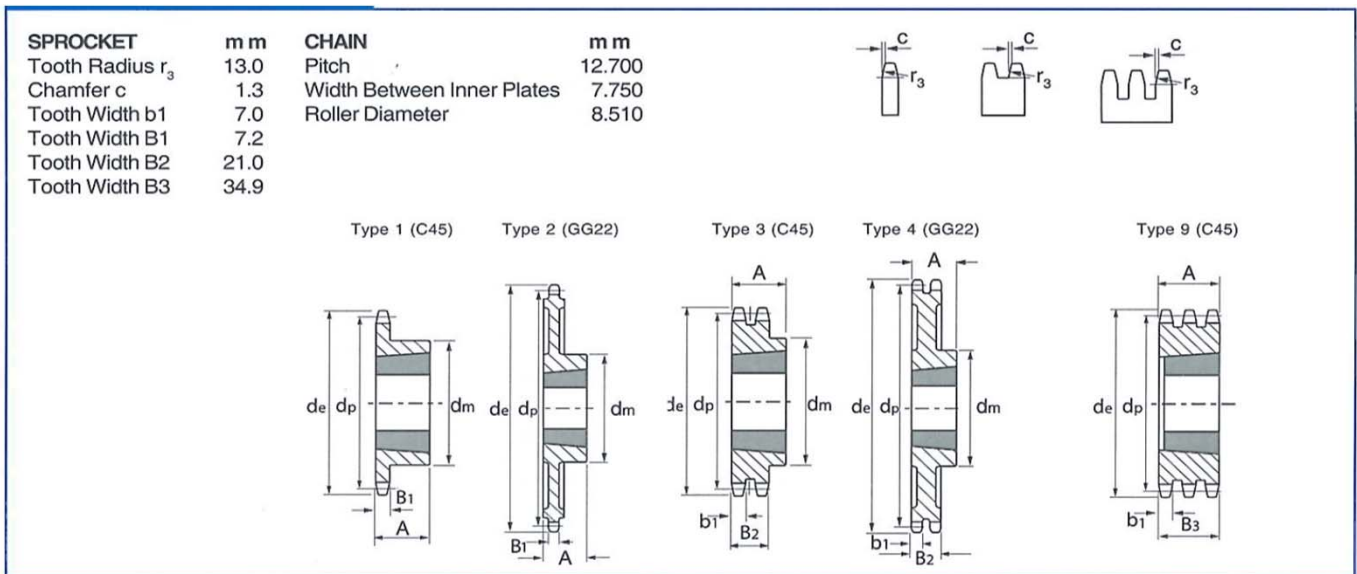
Type 4 (GG22)

Type 9 (C45)

Type 7 (C45)

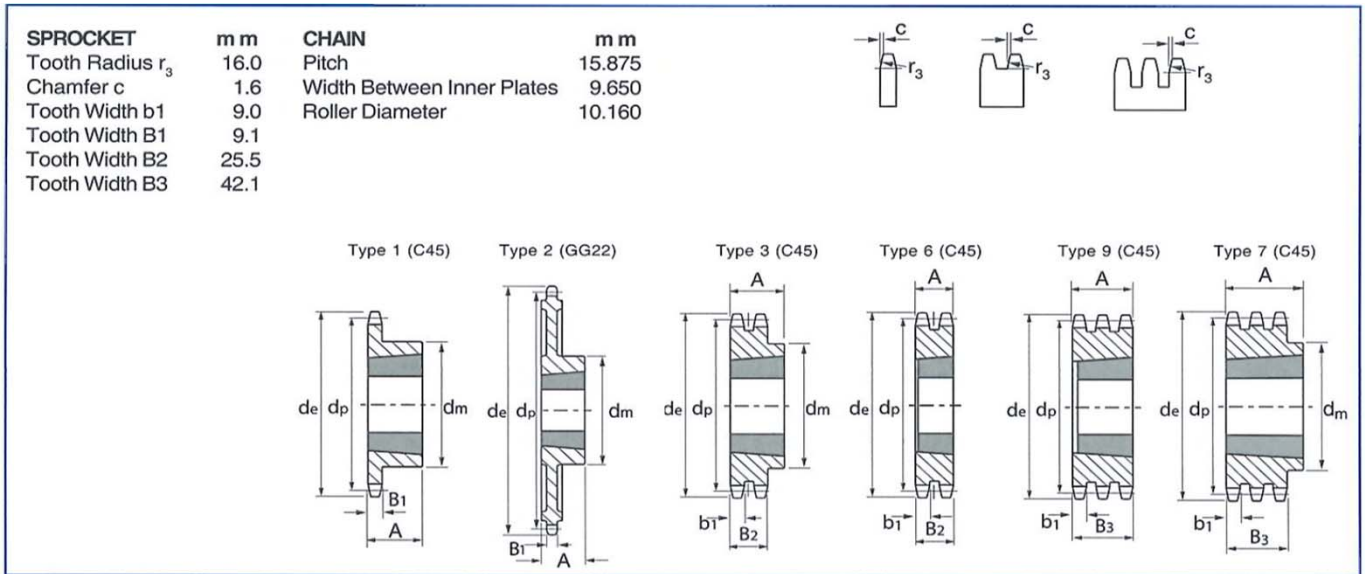
Teeth	Outer Dia de	Pitch Dia dp	Simplex					Duplex					Triplex				
			Ref	Hub Dia dm	Length thro' Bore A	Taper Bush	Type	Ref	Hub Dia dm	Length thro' Bore A	Taper Bush	Type	Ref	Hub Dia dm	Length thro' Bore A	Taper Bush	Type
17	55.3	51.83	31-17	45	22	1008	1	32-17	41	22	1008	3	33-17	-	25.6	1008	9
18	58.3	54.85	31-18	45	22	1008	1	32-18	43	22	1008	3	33-18	-	25.6	1008	9
19	61.3	57.87	31-19	45	22	1008	1	32-19	46	22	1008	3	33-19	-	25.6	1008	9
20	64.3	60.89	31-20	46	22	1008	1	32-20	48	22	1008	3					
21	68.0	63.91	31-21	46	22	1008	1	32-21	49	22	1008	3	33-21	-	25.6	1008	9
22	71.0	66.93	31-22	50	22	1108	1	32-22	52	22	1108	3					
23	73.5	69.95	31-23	63	25	1210	1	32-23	59	25	1210	3	33-23	-	25.6	1210	9
24	77.0	72.97	31-24	63	25	1210	1	32-24	61	25	1210	3					
25	80.0	76.02	31-25	63	25	1210	1	32-25	64	25	1210	3	33-25	-	25.6	1210	9
26	83.0	79.02	31-26	63	25	1210	1	32-26	65	25	1210	3					
27	86.0	82.02	31-27	63	25	1210	1	32-27	70	25	1210	3	33-27	-	25.6	1210	7
28	89.0	85.07	31-28	63	25	1210	1	32-28	70	25	1210	3					
30	94.7	91.12	31-30	63	25	1210	1	32-30	75	25	1210	3	33-30	79.0	38.0	1615	7
38	119.5	115.35	31-38	70	25	1210	1	32-38	80	25	1610	3	33-38	90.0	36.0	1615	7
45	140.7	136.55	31-45	70	25	1210	1	32-45	80	25	1610	3					
57	176.9	172.91	31-57	70	25	1210	2	32-57	80	25	1610	4					
76	234.9	230.49	31-76	70	25	1210	2	32-76	80	25	1610	4					
95	292.5	288.08	31-95	80	25	1210	2	32-95	90	25	1610	4					

CARRETOS 08B (1/2" x 5/16") para TAPER LOCK



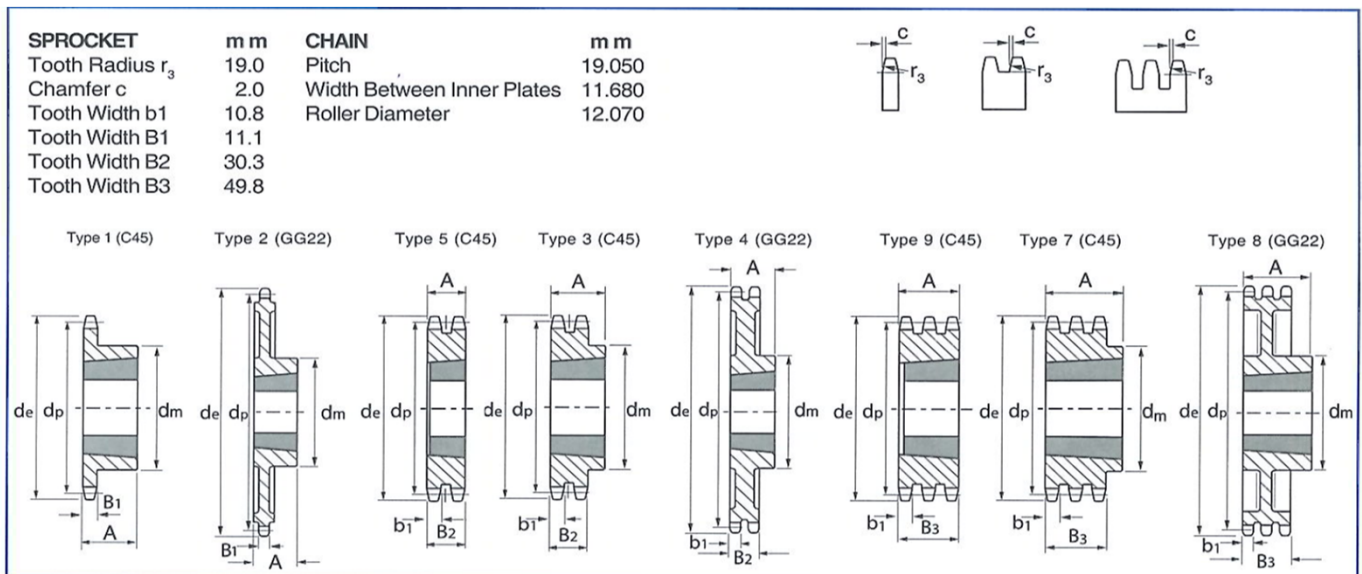
Teeth	Outer Dia de	Pitch Dia dp	Simplex					Duplex					Triplex				
			Ref	Hub Dia dm	Length thro' Bore A	Taper Bush	Type	Ref	Hub Dia dm	Length thro' Bore A	Taper Bush	Type	Ref	Hub Dia dm	Length thro' Bore A	Taper Bush	Type
15	65.5	61.90	41-15	45	22	1008	1	42-15	46	22	1008	3	43-15	-	34.9	1008	9
16	69.5	65.10	41-16	50	22	1108	1	42-16	50	22	1108	3					
17	73.6	69.11	41-17	60	25	1210	1	42-17	56	25	1210	3	43-17	-	34.9	1210	9
18	77.8	73.14	41-18	60	25	1210	1	42-18	60	25	1210	3					
19	81.7	77.16	41-19	63	25	1210	1	42-19	62	25	1210	3	43-19	-	34.9	1210	9
20	85.8	81.19	41-20	71	25	1610	1	42-20	66	25	1610	3					
21	89.7	85.22	41-21	71	25	1610	1	42-21	70	25	1610	3	43-21	-	34.9	1610	9
22	93.8	89.24	41-22	71	25	1610	1	42-22	76	25	1610	3					
23	98.2	93.27	41-23	76	25	1610	1	42-23	79	25	1610	3	43-23	-	34.9	1610	9
24	101.8	97.29	41-24	76	25	1610	1	42-24	84	25	1610	3					
25	105.8	101.33	41-25	76	25	1610	1	42-25	87	32	2012	3	43-25	-	34.9	2012	9
26	110.0	105.36	41-26	76	25	1610	1	42-26	87	32	2012	3					
27	114.0	109.40	41-27	76	25	1610	1	42-27	87	32	2012	3	43-27	-	34.9	2012	9
28	118.0	113.42	41-28	90	32	2012	1	42-28	87	32	2012	3					
30	126.1	121.50	41-30	90	32	2012	1	42-30	87	32	2012	3	43-30	-	34.9	2012	9
38	158.6	153.80	41-38	90	32	2012	1	42-38	100	32	2012	3	43-38	-	34.9	2012	9
45	188.0	182.07	41-45	100	32	2012	1	42-45	100	32	2012	4					
57	236.4	230.54	41-57	100	32	2012	2	42-57	100	32	2012	4					
76	313.3	307.33	41-76	100	32	2012	2	42-76	100	32	2012	4					
95	390.1	384.11	41-95	100	32	2012	2	42-95	100	32	2012	4					

CARRETOS 10B (5/8" x 3/8") para TAPER LOCK



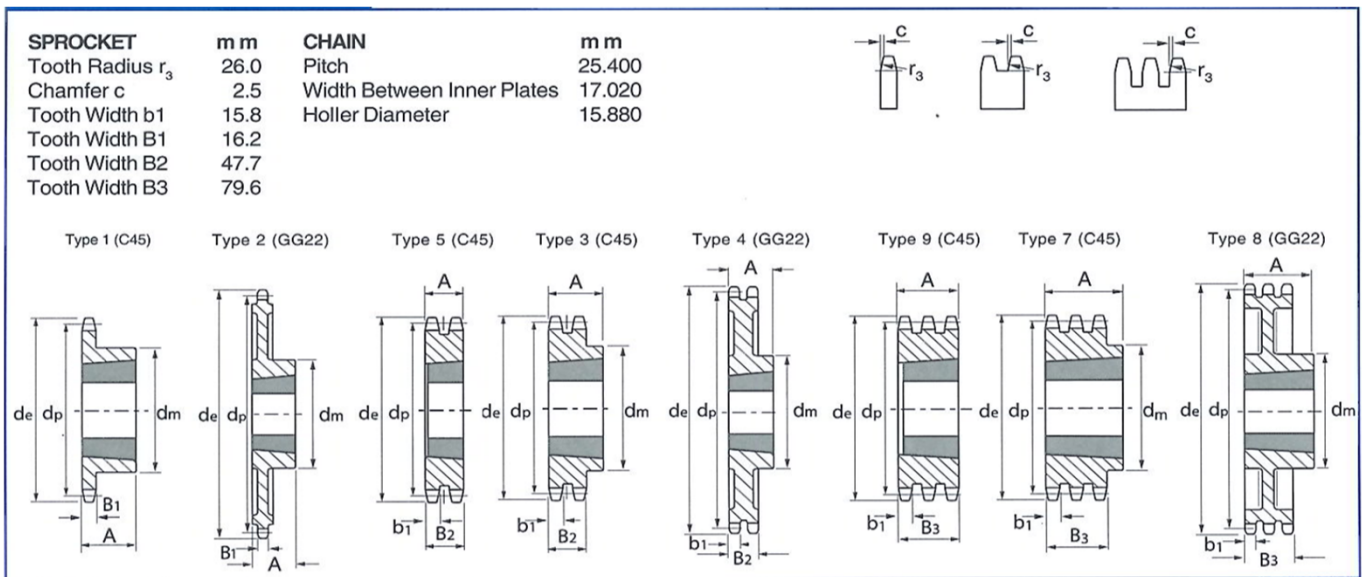
Teeth	Outer Dia d_e	Pitch Dia d_p	Simplex					Duplex					Triplex					
			Ref	Hub Dia d_m	Length thro' Bore A	Taper Bush	Type	Ref	Hub Dia d_m	Length thro' Bore A	Taper Bush	Type	Ref	Hub Dia d_m	Length thro' Bore A	Taper Bush	Type	
13	73.0	66.32	51-13	47	22	1008	1											
14	78.0	71.34	51-14	52	22	1108	1											
15	83.0	76.36	51-15	60	25	1210	1	52-15	-	25.5	1210	3	53-15	-	42.1	1210	9	
16	88.0	81.37	51-16	70	25	1610	1	52-16	-	25.5	1610	3						
17	93.0	86.36	51-17	71	25	1610	1	52-17	-	25.5	1610	3	53-17	-	42.1	1210	9	
18	98.3	91.42	51-18	75	25	1610	1	52-18	-	25.5	1610	3						
19	103.3	96.45	51-19	75	25	1610	1	52-19	-	25.5	1610	3	53-19	-	42.1	1615	9	
20	108.4	101.49	51-20	75	25	1610	1	52-20	-	25.5	1610	3						
21	113.4	106.52	51-21	76	25	1610	1	52-21	-	25.5	1610	3	53-21	-	42.1	1615	9	
22	118.0	111.55	51-22	76	25	1610	1	52-22	-	25.5	1610	3						
23	123.4	116.58	51-23	76	25	1610	1	52-23	-	25.5	1610	3	53-23	-	42.1	2012	9	
24	128.3	121.62	51-24	90	25	1610	1	52-24	90	32.0	2012	6						
25	134.0	126.66	51-25	90	32	2012	1	52-25	90	32.0	2012	6	53-25	105	45.0	2517	7	
26	139.0	131.70	51-26	90	32	2012	1	52-26	90	32.0	2012	6						
27	144.0	136.75	51-27	90	32	2012	1	52-27	90	32.0	2012	6	53-27	110	45.0	2517	7	
28	148.7	141.78	51-28	90	32	2012	1	52-28	90	32.0	2012	6						
30	158.8	151.87	51-30	90	32	2012	1	52-30	90	32.0	2012	6	53-30	120	45.0	2517	7	
38	199.2	192.24	51-38	100	32	2012	1	52-38	108	45.0	2517	6						
45	235.0	227.58	51-45	100	32	2042	2											
57	296.0	288.18	51-57	100	32	2012	2											
76	392.1	384.16	51-76	100	32	2012	2											
95	488.5	480.14	51-95	110	45	2517	2											

CARRETOS 12B (3/4" x 7/16") para TAPER LOCK



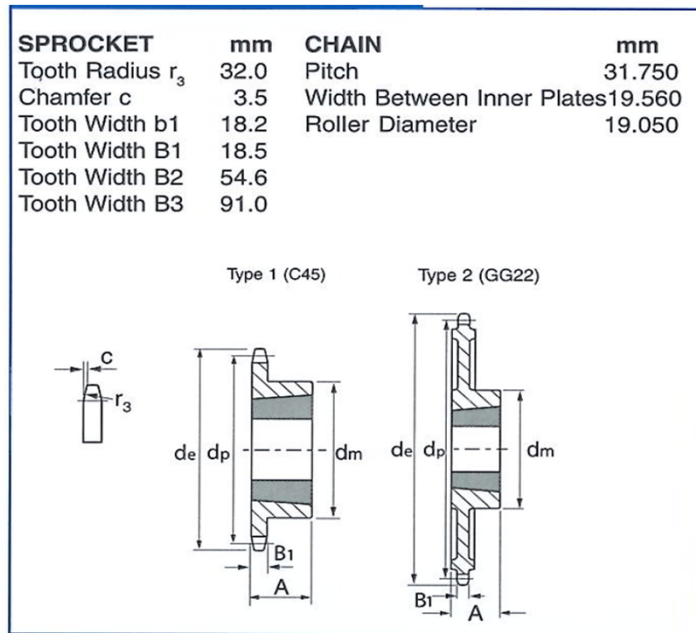
Teeth	Outer Dia de	Pitch Dia dp	Simplex					Duplex					Triplex					
			Ref	Hub Dia dm	Length thro' Bore A	Taper Bush	Type	Ref	Hub Dia dm	Length thro' Bore A	Taper Bush	Type	Ref	Hub Dia dm	Length thro' Bore A	Taper Bush	Type	
13	87.5	79.59	61-13	60	25	1210	1											
14	93.6	85.61	61-14	70	25	1610	1											
15	99.8	91.63	61-15	70	25	1610	1	62-15	-	30.3	1610	5	63-15	-	49.8	1615	9	
16	105.5	97.65	61-16	75	25	1610	1	62-16	-	30.3	1610	5						
17	111.5	103.67	61-17	76	25	1610	1	62-17	-	30.3	1610	5	63-17	-	49.8	1615	9	
18	118.0	109.71	61-18	90	32	2012	1	62-18	90.0	32.0	2012	3						
19	124.2	115.75	61-19	90	32	2012	1	62-19	90.0	32.0	2012	3	63-19	-	49.8	2012	9	
20	129.7	121.78	61-20	90	32	2012	1	62-20	108.0	45.0	2517	3						
21	136.0	127.82	61-21	102	45	2517	1	62-21	108.0	45.0	2517	3	63-21	-	49.8	2517	9	
22	141.8	133.86	61-22	102	45	2517	1	62-22	108.0	45.0	2517	3						
23	149.0	139.90	61-23	108	45	2517	1	62-23	108.0	45.0	2517	3	63-23	-	49.8	2517	9	
24	153.9	145.94	61-24	108	46	2517	1	62-24	108.0	45.0	2517	3						
25	160.0	152.00	61-25	108	45	2517	1	62-25	108.0	45.0	2517	3	63-25	-	49.8	2517	9	
26	165.9	158.04	61-26	108	45	2517	1	62-26	108.0	45.0	2517	3						
27	172.3	164.00	61-27	108	45	2517	1	62-27	108.0	45.0	2517	3	63-27	140.0	51.0	3020	7	
28	178.0	170.13	61-28	108	45	2517	1	62-28	108.0	45.0	2517	3						
30	190.5	182.25	61-30	108	45	2517	1	62-30	108.0	45.0	2517	3	63-30	140.0	51.0	3020	7	
38	239.0	230.69	61-38	108	45	2517	1	62-38	140.0	51.0	3020	3	63-38	140.0	51.0	3020	7	
45	282.5	273.10	61-45	108	45	2517	2	62-45	140.0	51.0	3020	4	63-45	140.0	51.0	3020	8	
57	355.4	345.81	61-57	108	45	2517	2	62-57	140.0	51.0	3020	4	63-57	140.0	51.0	3020	8	
76	469.9	460.99	61-76	108	45	2517	2	62-76	140.0	51.0	3020	4	63-76	140.0	51.0	3020	8	
95	585.1	576.17	61-95	108	45	2517	2	62-95	140.0	51.0	3020	4	63-95	140.0	76.0	3030	8	

CARRETOS 16B (1" x 17,02mm) para TAPER LOCK



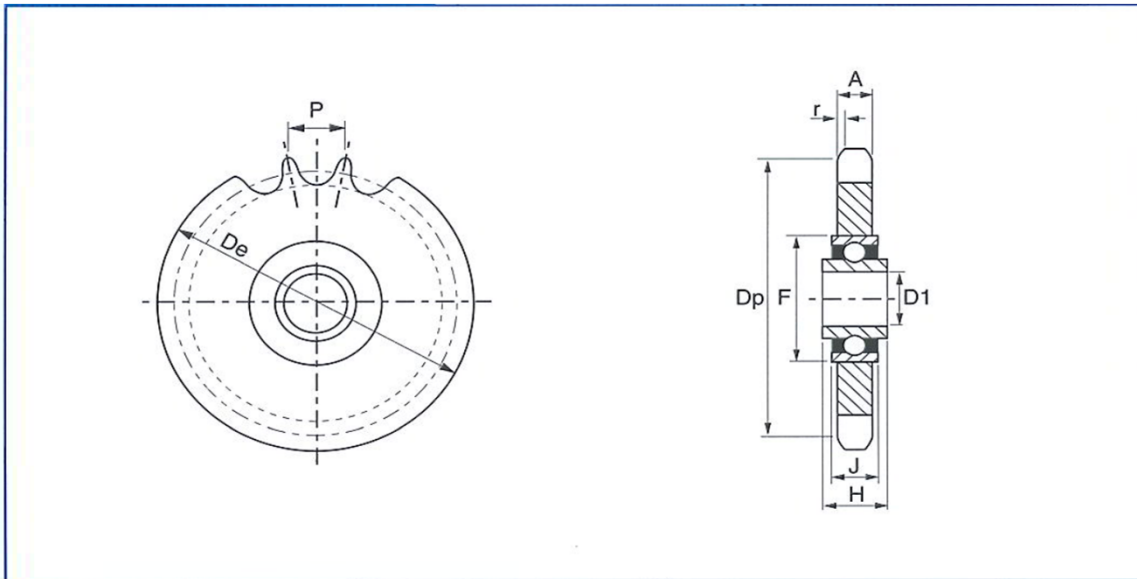
Teeth	Outer Dia de	Pitch Dia dp	Simplex					Duplex					Triplex					
			Ref	Hub Dia dm	Length thro' Bore A	Taper Bush	Type	Ref	Hub Dia dm	Length thro' Bore A	Taper Bush	Type	Ref	Hub Dia dm	Length thro' Bore A	Taper Bush	Type	
13	117.0	106.12	81-13	73	38	1615	1											
14	125.0	114.15	81-14	76	38	1615	1											
15	133.0	122.17	81-15	76	38	1615	1	82-15	-	47.7	2012	5						
16	141.0	130.20	81-16	90	32	2012	1	82-16	-	47.7	2517	5						
17	149.0	138.22	81-17	90	32	2012	1	82-17	-	47.7	2517	5	83-17	-	79.6	2517	9	
18	157.0	146.28	81-18	108	45	2517	1	82-18	-	47.7	2517	5						
19	165.2	154.33	81-19	108	45	2517	1	82-19	-	47.7	2517	5	83-19	-	79.6	3030	9	
20	173.2	162.38	81-20	108	45	2517	1	82-20	-	47.7	2517	5						
21	181.2	170.43	81-21	110	45	2517	1	82-21	140.0	51.0	3020	3	83-21	-	79.6	3030	9	
22	189.3	178.48	81-22	110	45	2517	1	82-22	140.0	51.0	3020	3						
23	197.5	186.53	81-23	110	45	2517	1	82-23	140.0	51.0	3020	3	83-23	159.0	89.0	3535	7	
24	205.5	194.59	81-24	110	45	2517	1	82-24	140.0	51.0	3020	3						
25	213.5	202.66	81-25	110	45	2517	1	82-25	140.0	51.0	3020	3	83-25	175.0	89.0	3535	7	
26	221.6	210.72	81-26	110	45	2617	1	82-26	140.0	51.0	3020	3						
27	229.6	218.79	81-27	110	45	2617	1	82-27	140.0	51.0	3020	3	83-27	175.0	89.0	3535	7	
28	237.7	226.85	81-28	110	45	2517	1	82-28	140.0	51.0	3020	3						
30	254.0	243.00	81-30	140	51	3020	1	82-30	140.0	76.0	3030	3	83-30	175.0	89.0	3535	7	
38	320.7	307.59	81-38	140	51	3020	2	82-38	140.0	76.0	3030	4	83-38	175.0	89.0	3535	8	
45	377.1	364.13	81-45	140	51	3020	2	82-45	140.0	76.0	3030	4	83-45	215.0	102.0	4040	8	
57	474.0	461.07	81-57	140	51	3020	2	82-57	175.0	89.0	3535	4	83-57	215.0	102.0	4040	8	
76	627.0	614.65	81-76	140	51	3020	2	82-76	175.0	89.0	3535	4	83-76	215.0	102.0	4040	8	
95	781.1	768.22	81-95	140	51	3020	2	82-95	215.0	102.0	4040	4	83-95	215.0	102.0	4040	8	

CARRETOS 20B (1¼" x 3/4") para TAPER LOCK



Teeth	Outer Dia de	Pitch Dia dp	Ref	Simplex			Type
				Hub Dia dm	Length thro' Bore A	Taper Bush	
13	147.8	132.65	101-13	90	32	2012	1
14	157.8	142.68	101-14	108	44	2517	1
15	167.9	152.72	101-15	108	44	2517	1
16	177.9	162.75	101-16	108	44	2517	1
17	187.9	172.78	101-17	108	44	2517	1
18	198.0	182.85	101-18	108	44	2517	1
19	208.1	192.91	101-19	110	44	2517	1
20	218.1	202.98	101-20	110	44	2517	1
21	228.2	213.04	101-21	110	44	2517	1
22	238.3	223.11	101-22	110	44	2517	1
23	248.3	233.17	101-23	110	44	2517	1
24	258.4	243.23	101-24	110	44	2517	1
25	268.5	253.33	101-25	110	44	2517	1
26	278.6	263.40	101-26	110	51	3020	1
27	288.6	273.80	101-27	150	51	3020	1
28	298.7	283.56	101-28	150	51	3020	1
30	318.9	303.75	101-30	150	51	3020	1
38	399.6	384.49	101-38	160	51	3020	2
45	470.3	455.17	101-45	160	51	3020	2
57	591.5	576.36	101-57	160	51	3020	2
76	783.5	768.32	101-76	160	51	3020	2

CARRETOS TENSORES

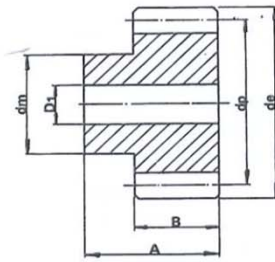


Chain Size	Chain Pitch x Width Between Inner Plates	Teeth	Outer Dia de	Pitch Dia dp	Tooth Width A	Bearing Bore D1	Bearing Bore Width H	Bearing Outside Dia F	Bearing Width J
05B	8 mm x 3 mm	23	62.0	58.75	2.8	16	18.3	40	12
06B	3/8" x 7/32"	21	68.0	63.91	5.3	16	18.3	40	12
81	1/2" x 1/8"	18	78.9	73.14	3.0	16	18.3	40	12
83	1/2" x 3/16"	18	78.9	73.14	4.5	16	18.3	40	12
84	1/2" x 3/16"	18	78.9	73.14	4.5	16	18.3	40	12
08B	1/2" x 5/16"	16	69.5	65.10	7.2	16	18.3	40	12
08B	1/2" x 5/16"	18	77.8	73.14	7.2	16	18.3	40	12
10B	5/8" x 3/8"	14	78.0	71.34	9.1	16	18.3	40	12
10B	5/8" x 3/8"	15	83.0	76.36	9.1	16	18.3	40	12
10B	5/8" x 3/8"	17	93.0	86.30	9.1	16	18.3	40	12
12B	3/4" x 7/16"	13	87.5	79.59	11.1	16	18.3	40	12
12B	3/4" x 7/16"	15	99.8	91.63	11.1	16	18.3	40	12
16B	1" x 17.02 mm	12	109.0	98.14	16.2	20	17.7	47	14
20B	1.1/4" x 3/4"	13	147.8	132.65	18.5	25	21.0	52	15

Chain Size	Chain Pitch x Width Between Inner Plates	Teeth	Outer Dia de	Pitch Dia dp	Tooth Width A	Bearing Bore D1	Bearing Bore Width H	Bearing Outside Dia F	Bearing Width J
ASA 35	3/8" x 3/16"	20	65.77	60.89	4.4	16.00	18.3	40	12
ASA 40	1/2" x 5/16"	17	75.68	69.12	7.4	16.00	18.3	40	12
ASA 40	1/2" x 5/16"	18	79.70	73.14	7.4	16.00	18.3	40	12
ASA 50	5/8" x 3/8"	15	83.00	76.36	9.0	16.00	18.3	40	12
ASA 50	5/8" x 3/8"	17	93.00	86.39	9.0	16.00	18.3	40	12
ASA 60	3/4" x 1/2"	13	89.49	79.59	12.0	16.00	18.3	40	12
ASA 60	3/4" x 1/2"	15	101.52	91.63	12.0	16.00	18.3	40	12
ASA 80	1" x 5/8"	12	103.28	90.14	15.0	19.05	17.7	47	14

CARRETOS de MÓDULO de DENTES RECTOS

Straight gears
with side hub
Pressure angle 20°



MATERIAL: C 45 - UNI 7845

WIDTH of SURFACE "B" for:

- MODULE 1 = 15 mm.
- MODULE 1.5 = 17 mm.
- MODULE 2 = 20 mm.
- MODULE 2.5 = 25 mm.
- MODULE 3 = 30 mm.
- MODULE 4 = 40 mm.
- MODULE 5 = 50 mm.
- MODULE 6 = 60 mm.

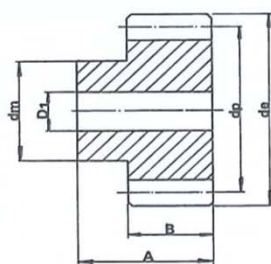
TOTAL HEIGHT "A" for:

- MODULE 1 = 25 mm.
- MODULE 1.5 = 30 mm.
- MODULE 2 = 35 mm.
- MODULE 2.5 = 40 mm.
- MODULE 3 = 50 mm.
- MODULE 4 = 60 mm.
- MODULE 5 = 75 mm.
- MODULE 6 = 80 mm.

Z	MODULE 1				MODULE 1.5				MODULE 2				MODULE 2.5			
	d _e	d _p	d _m	D ₁	d _e	d _p	d _m	D ₁	d _e	d _p	d _m	D ₁	d _e	d _p	d _m	D ₁
12	14	12	9		21.0	18.0	14	8	28	24	18	10	35.0	30.0	22	10
13	15	13	10		22.5	19.5	14	8	30	26	19	10	37.5	32.5	25	10
14	16	14	10		24.0	21.0	18	8	32	28	20	10	40.0	35.0	28	10
15	17	15	12		25.5	22.5	18	8	34	30	22	10	42.5	37.5	30	10
16	18	16	13		27.0	24.0	20	8	36	32	24	10	45.0	40.0	32	12
17	19	17	14	8	28.5	25.5	20	8	38	34	25	10	47.5	42.5	35	12
18	20	18	15	8	30.0	27.0	20	8	40	36	25	10	50.0	45.0	35	12
19	21	19	15	8	31.5	28.5	20	8	42	38	25	10	52.5	47.5	35	12
20	22	20	16	8	33.0	30.0	25	8	44	40	30	10	55.0	50.0	40	14
21	23	21	16	8	34.5	31.5	25	10	46	42	30	12	57.5	52.5	40	14
22	24	22	18	8	36.0	33.0	25	10	48	44	30	12	60.0	55.0	45	14
23	25	23	18	8	37.5	34.5	25	10	50	46	30	12	62.5	57.5	45	14
24	26	24	20	8	39.0	36.0	25	10	52	48	35	12	65.0	60.0	45	14
25	27	25	20	8	40.5	37.5	25	10	54	50	35	12	67.5	62.5	50	14
26	28	26	20	8	42.0	39.0	30	12	56	52	40	12	70.0	65.0	50	14
27	29	27	20	8	43.5	40.5	30	12	58	54	40	12	72.5	67.5	50	14
28	30	28	20	8	45.0	42.0	30	12	60	56	40	12	75.0	70.0	50	14
29	31	29	20	8	46.5	43.5	30	12	62	58	40	14	77.5	72.5	50	14
30	32	30	20	8	48.0	45.0	30	12	64	60	40	14	80.0	75.0	55	16
31	33	31	25	10	49.5	46.5	35	12	66	62	45	14	82.5	77.5	55	16
32	34	32	25	10	51.0	48.0	35	12	68	64	45	14	85.0	80.0	55	16
33	35	33	25	10	52.5	49.5	35	12	70	66	45	14	87.5	82.5	55	16
34	36	34	25	10	54.0	51.0	35	12	72	68	45	14	90.0	85.0	55	16
35	37	35	25	10	55.5	52.5	35	12	74	70	45	14	92.5	87.5	60	16
36	38	36	25	10	57.0	54.0	35	12	76	72	45	14	95.0	90.0	60	16
37	39	37	25	10	58.5	55.5	40	12	78	74	50	14	97.5	92.5	60	16
38	40	38	25	10	60.0	57.0	40	12	80	76	50	14	100.0	95.0	60	16
39	41	39	25	10	61.5	58.5	40	12	82	78	50	14	102.5	97.5	60	16
40	42	40	25	10	63.0	60.0	40	12	84	80	50	14	105.0	100.0	70	20
41	43	41	30	10	64.5	61.5	50	14	86	82	60	16	107.5	102.5	70	20
42	44	42	30	10	66.0	63.0	50	14	88	84	60	16	110.0	105.0	70	20
43	45	43	30	10	67.5	64.5	50	14	90	86	60	16	112.5	107.5	70	20
44	46	44	30	10	69.0	66.0	50	14	92	88	60	16	115.0	110.0	70	20
45	47	45	30	10	70.5	67.5	50	14	94	90	60	16	117.5	112.5	70	20
46	48	46	30	10	72.0	69.0	50	14	96	92	60	16	120.0	115.0	70	20
47	49	47	30	10	73.5	70.5	50	14	98	94	60	16	122.5	117.5	80	20
48	50	48	30	10	75.0	72.0	50	14	100	96	70	16	125.0	120.0	80	20
49	51	49	30	10	76.5	73.5	50	14	102	98	70	16	127.5	122.5	80	20
50	52	50	30	12	78.0	75.0	50	14	104	100	70	16	130.0	125.0	80	20
51	53	51	40	12	79.5	76.5	60	15	106	102	70	20	132.5	127.5	90	20
52	54	52	40	12	81.0	78.0	60	15	108	104	70	20	135.0	130.0	90	20
53	55	53	40	12	82.5	79.5	60	15	110	106	70	20	137.5	132.5	90	20
54	56	54	40	12	84.0	81.0	60	15	112	108	70	20	140.0	135.0	90	20
55	57	55	40	12	85.5	82.5	60	15	114	110	70	20	142.5	137.5	90	20
56	58	56	40	12	87.0	84.0	60	15	116	112	70	20	145.0	140.0	100	20
57	59	57	40	12	88.5	85.5	60	15	118	114	70	20	147.5	142.5	100	20
58	60	58	40	12	90.0	87.0	60	15	120	116	70	20	150.0	145.0	100	20
59	61	59	40	12	91.5	88.5	60	15	122	118	70	20	152.5	147.5	100	20
60	62	60	40	12	93.0	90.0	60	15	124	120	70	20	155.0	150.0	100	20
61	63	61	50	12	94.5	91.5	70	20	126	122	80	20				
62	64	62	50	12	96.0	93.0	70	20	128	124	80	20				
63	65	63	50	12	97.5	94.5	70	20	130	126	80	20				
64	66	64	50	12	99.0	96.0	70	20	132	128	80	20				
65	67	65	50	12	100.5	97.5	70	20	134	130	80	20				
66	68	66	50	12	102.0	99.0	70	20	136	132	80	20				
67	69	67	50	12	103.5	100.5	70	20	138	134	80	20				
68	70	68	50	12	105.0	102.0	70	20	140	136	80	20				
69	71	69	50	12	106.5	103.5	70	20	142	138	80	20				
70	72	70	50	12	108.0	105.0	70	20	144	140	80	20				

CARRETOS de MÓDULO de DENTES RECTOS

Straight gears
with side hub
Pressure angle 20°



WIDTH of SURFACE "B" for:

MODULE 1	=	15 mm.
MODULE 1.5	=	17 mm.
MODULE 2	=	20 mm.
MODULE 2.5	=	25 mm.
MODULE 3	=	30 mm.
MODULE 4	=	40 mm.
MODULE 5	=	50 mm.
MODULE 6	=	60 mm.

TOTAL HEIGHT "A" for:

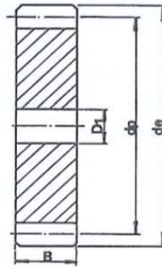
MODULE 1	=	25 mm.
MODULE 1.5	=	30 mm.
MODULE 2	=	35 mm.
MODULE 2.5	=	40 mm.
MODULE 3	=	50 mm.
MODULE 4	=	60 mm.
MODULE 5	=	75 mm.
MODULE 6	=	80 mm.

MATERIAL: C 45 - UNI 7845

Z	MODULE 3				MODULE 4				MODULE 5				MODULE 6			
	d _e	d _p	d _m	D ₁	d _e	d _p	d _m	D ₁	d _e	d _p	d _m	D ₁	d _e	d _p	d _m	D ₁
12	42	36	25	12	56	48	35	14	70	60	45	16	84	72	54	
13	45	39	25	12	60	52	40	14	75	65	50	16	90	78	60	
14	48	42	30	12	64	56	45	14	80	70	55	20				
15	51	45	35	12	68	60	45	14	85	75	60	20	102	90	70	
16	54	48	38	15	72	64	50	15	90	80	65	20	108	96	75	
17	57	51	42	15	76	68	50	15	95	85	70	20				
18	60	54	45	15	80	72	50	15	100	90	70	20	120	108	80	
19	63	57	45	15	84	76	60	15	105	95	70	20				
20	66	60	45	15	88	80	60	15	110	100	80	20	132	120	90	
21	69	63	45	15	92	84	70	20	115	105	80	20				
22	72	66	50	15	96	88	70	20	120	110	80	25				
23	75	69	50	15	100	92	75	20	125	115	90	25				
24	78	72	50	16	104	96	75	20	130	120	90	25	156	144	110	
25	81	75	60	16	108	100	75	20	135	125	90	25	162	150	110	
26	84	78	60	16	112	104	75	20	140	130	100	25				
27	87	81	60	16	116	108	75	20	145	135	100	25				
28	90	84	60	16	120	112	75	20	150	140	100	25				
29	93	87	60	16	124	116	75	20	155	145	100	25				
30	96	90	60	16	128	120	75	20	160	150	100	25				
31	99	93	70	20	132	124	80	20								
32	102	96	70	20	136	128	80	20								
33	105	99	70	20	140	132	80	20								
34	108	102	70	20	144	136	80	20								
35	111	105	70	20	148	140	80	20								
36	114	108	70	20	152	144	80	20								
37	117	111	80	20												
38	120	114	80	20												
39	123	117	80	20												
40	126	120	80	20												
41	129	123	90	20												
42	132	126	90	20												
43	135	129	90	20												
44	138	132	90	20												
45	141	135	90	20												
46	144	138	90	20												
47	147	141	90	20												
48	150	144	100	20												

CARRETOS de MÓDULO SEM CANHÃO

Straight spur gears
without hub
Pressure angle 20°



WIDTH of SURFACE "B" for:

- MODULE 1 = 15 mm.
- MODULE 1.5 = 17 mm.
- MODULE 2 = 20 mm.
- MODULE 2.5 = 25 mm.
- MODULE 3 = 30 mm.
- MODULE 4 = 40 mm.
- MODULE 5 = 50 mm.
- MODULE 6 = 60 mm.

MATERIAL: C 45 – UNI 7845

Z	MODULE 1				MODULE 1.5				MODULE 2				MODULE 2.5			
	d _o	d _p	d _m	D ₁	d _o	d _p	d _m	D ₁	d _o	d _p	d _m	D ₁	d _o	d _p	d _m	D ₁
55																
57																
60																
65													167.5	162.5		20
70													180.0	175.0		20
72	74	72		12	111.0	108.0		20	148	144		20	185.0	180.0		20
75	77	75		12	115.5	112.5		20	154	150		20	192.5	187.5		20
76	78	76		12	117.0	114.0		20	156	152		20	195.0	190.0		20
80	82	80		12	123.0	120.0		20	164	160		20	205.0	200.0		25
85	87	85		12	130.5	127.5		20	174	170		20	217.5	212.5		25
90	92	90		12	138.0	135.0		20	184	180		20	230.0	225.0		25
95	97	95		12	145.5	142.5		20	194	190		20	242.5	237.5		25
100	102	100		12	153.0	150.0		20	204	200		20	255.0	250.0		25
110	112	110		12	168.0	165.0		20	224	220		20	280.0	275.0		25
114	116	114		12	174.0	171.0		20	232	228		20	290.0	285.0		25
120	122	120		12	183.0	180.0		20	244	240		20	305.0	300.0		25
127	129	127		12	193.5	190.5		20	258	254		20	322.5	317.5		25

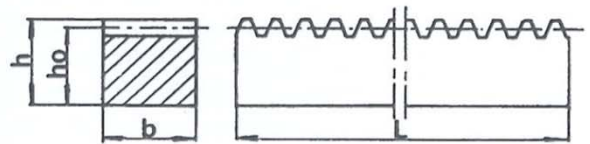
Z	MODULE 3				MODULE 4				MODULE 5				MODULE 6			
	d _o	d _p	d _m	D ₁	d _o	d _p	d _m	D ₁	d _o	d _p	d _m	D ₁	d _o	d _p	d _m	D ₁
28													180	168		25
30													192	180		25
32									170	160		25	204	192		25
35									185	175		25	222	210		25
38					160	152		25	200	190		30	240	228		25
40					168	160		25	210	200		30	252	240		25
45					188	180		25	235	225		30				
48					200	192		25	250	240		30				
50	156	150		25	208	200		25	260	250		30				
52	162	156		25	216	208		25	270	260		30				
55	171	165		25	228	220		25	285	275		30				
57	177	171		25	236	228		25	295	285		30				
60	186	180		25	248	240		25	310	300		30				
65	201	195		25	268	260		25	335	325		30				
70	216	210		25	288	280		25	360	350		30				
72	222	216		25												
75	231	225		25	308	300		25	385	375		30				
76	234	228		25	312	304		25	390	380		30				
80	246	240		25	328	320		25	410	400		30				
85	261	255		25	348	340		25	435	425		30				
90	276	270		25	368	360		25	460	450		30				
95	291	285		25	388	380		25	485	475		30				
100	306	300		25	408	400		25	510	500		30				
110	336	330		25	448	440		25	560	550		30				
114	348	342		25	464	456		25	580	570		30				
120	366	360		25												
127	387	381		25												

CREMALHEIRAS de MÓDULO

MATERIAL: C40 - DRAWN - STANDARDISED					
Module	Dimensions b x h		h ₀	L	kg.
	b	h			
1	15	15	14	500	0.820
	15	15	14	1000	1.640
	15	15	14	2000	3.200
1.5	17	17	15.5	500	1.000
	17	17	15.5	1000	2.050
	17	17	15.5	2000	4.000
2	20	20	18	500	1.410
	20	20	18	1000	2.750
	20	20	18	2000	5.500
2.5	25	25	22.5	500	2.100
	25	25	22.5	1000	4.500
	25	25	22.5	2000	9.000
3	30	30	27	500	3.100
	30	30	27	1000	6.500
	30	30	27	2000	13.000
4	30	30	26	500	3.050
	30	30	26	1000	6.100
	30	30	26	2000	12.500
4	40	40	36	500	5.500
	40	40	36	1000	11.000
	40	40	36	2000	23.000
5	50	50	45	500	8.300
	50	50	45	1000	17.500
	50	50	45	2000	35.000
6	60	60	54	500	12.650
	60	60	54	1000	25.500
	60	60	54	2000	51.000

Racks

Pressure angle 20°



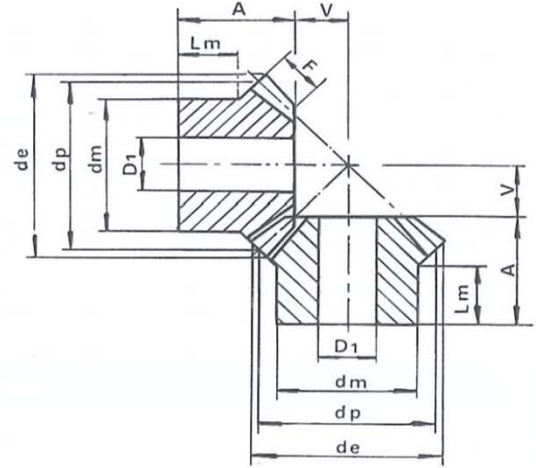
CARRETOS CÓNICOS

MATERIAL: C 43 – UNI 7847											
M	Z	d _p	d _e	F	A	d _m	D ₁	L	V	S	L _m
1.5	16	24.0	26.12	6	18.9	20.3	8		7.10		12
	20	30.0	32.12	10	20	22	10	18	7.40	2	8.5
	25	37.5	39.62	10	23	28	10	21	11.09	2	12
	30	45.0	47.12	12	25	30	12	22.5	13.35	2.5	12
2	16	32.0	34.83	8	23.5	25.3	8		9.50		14
	20	40.0	42.83	12	25	32	10	22	10.78	3	12
	25	50.0	52.82	14	28	40	12	25	14.28	3	12.3
	30	60.0	62.83	16	30	50	12	27	17.78	3	12.8
2.5	16	40.0	43.53	10	28.1	30.3	12		11.90		15
	20	50.0	53.53	12	30.5	40	12	27	15.43	3.5	16
	25	62.5	66.00	15	33.5	50	15	30	19.48	3.5	16
	30	75.0	78.53	18	35.5	55	15	32	23.63	3.5	16
3	16	48.0	52.25	12	31.7	40.3	12		14.30		18
	20	60.0	64.24	18	35	45	15	31	16.00	4	13.6
	25	75.0	79.24	20	38	55	15	34	22.00	4	16
	30	90.0	94.24	22	40	60	20	36	28.00	4	17
3.5	16	56.0	60.95	14	36.4	45.3	16		16.60		20
	20	70.0	74.95	22	40.5	55	15	36	18.13	4.5	17
	25	87.5	92.45	26	43.5	65	20	39	23.97	4.5	18
	30	105.0	109.95	30	48	70	20	43.5	30.02	4.5	19
4	16	64.0	69.65	15	44.3	50.3	16		19.70		25
	20	80.0	85.65	25	43	60	18	38	20.74	5	18
	25	100.0	105.65	28	45	70	20	40	28.50	5	18
	30	120.0	125.65	32	48	80	20	43	35.67	5	16
4.5	16	72.0	78.38	17.5	46.3	55.3	20		21.70		25
	20	90.0	96.38	28	48	65	20	42	23.41	6	18
	25	112.5	118.80	32	50	75	20	44	31.76	6	18
	30	135.0	141.38	35	53	90	20	47	40.82	6	17
5	16	80.0	87.07	18	48.9	60.3	20		25.10		25
	20	100.0	107.07	30	50.5	70	20	44	26.86	6.5	18.5
	25	125.0	132.07	34	53.5	90	20	47	36.36	6.5	18
	30	150.0	157.07	38	56.5	110	20	50	45.97	6.5	18

Normal axis Bevel Gears

Pressure angle: 20°
in compliance with UNI 6588

Ratio – 1:1

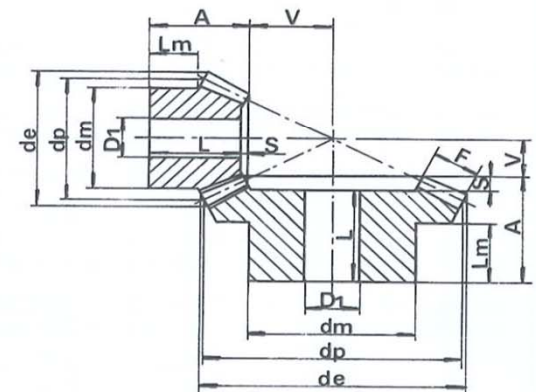


MATERIAL: C 43 – UNI 7847											
M	Z	d _p	d _e	F	A	d _m	D ₁	L	V	S	L _m
1.5	16	24	26.68	8	19.5	21	10	18	16.33	1.5	11.3
	32	48	49.34	8	20.0	32	12	17	7.45	3	10
2	16	32	35.57	10	23.0	26	10	21	22.41	2	11.9
	32	64	65.78	10	25.0	40	12	21	10.21	4	10
2.5	16	40	44.47	12	27.5	34	12	25	28.38	2.5	14.4
	32	80	82.23	12	25.0	50	15	20	12.97	5	10
3	16	48	53.36	15	28.0	40	15	25	33.64	3	11.6
	32	96	98.68	15	30.0	60	15	24	15.31	6	10
3.5	16	56	62.26	18	33.5	48	15	30	38.83	3.5	14.4
	32	112	115.12	18	31.0	70	20	24	17.77	7	10
4	16	64	71.15	20	36.0	50	15	32	44.81	4	13.4
	32	128	131.57	20	32.0	80	20	24	20.42	8	10
4.5	16	72	80.05	22	39.5	60	20	35	51.00	4.5	15.4
	32	144	148.00	22	36.0	90	20	27	23.21	9	10
5	16	80	88.94	25	50.0	60	20	45	56.06	5	21.1
	32	160	164.46	25	38.0	100	20	28	25.52	10	10

Normal axis Bevel Gears

Pressure angle: 20°
in compliance with UNI 6588

Ratio – 1:2



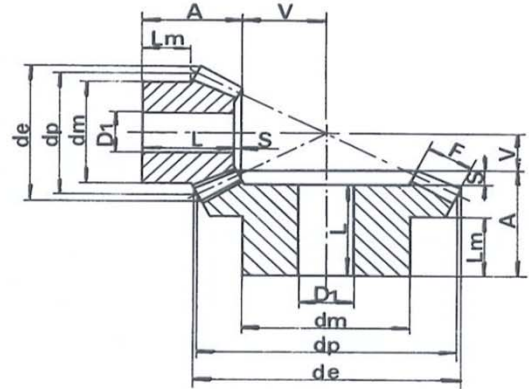
CARRETOS CÓNICOS

MATERIAL: C 43 – UNI 7847											
M	Z	d _p	d _e	F	A	d _m	D ₁	L	V	S	L _m
1.5	16	24	26.82	12	24	20	10	23	22.44	1	11.7
	48	72	72.95	12	20	50	12	17	7.27	3	10
2	16	32	35.80	15	28.5	26	12	27	33.26	1.5	12.4
	48	96	97.26	15	23	60	15	19	9.90	4	10
2.5	16	40	44.74	18	32	32	12	30	42.41	1.5	13
	48	120	121.58	18	26	70	20	21	12.60	5	10
3	16	48	53.69	18	32	40	15	30	54.25	2	12.1
	48	144	145.90	18	29	80	20	23	16.20	6	10
3.5	16	56	62.64	22	38	48	15	35.5	62.29	2.5	15
	48	168	170.21	22	31	90	20	24	18.48	7	10
4	16	64	71.59	25	41.5	55	20	38.5	71.23	3	15.2
	48	192	194.53	25	33	100	20	25	21.20	8	10
4.5	16	72	80.53	28	53	60	20	50	80.27	3	23.4
	48	216	218.84	28	49	100	20	40	23.93	9	18
5	16	80	89.48	35	60	60	20	57	85.61	3	22.5
	48	240	243.16	35	50	150	20	40	25.45	10	20

Normal axis Bevel Gears

Pressure angle: 20°
in compliance with UNI 6588

Ratio – 1:3

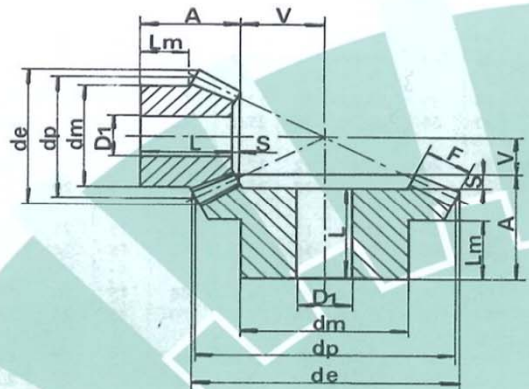


MATERIAL: C 43 – UNI 7847											
M	Z	d _p	d _e	F	A	d _m	D ₁	L	V	S	L _m
1.5	16	24	26.91	12	25	18	10	24	36.02	1	12.2
	64	96	96.73	12	22	70	15	19	8.53	3	10
2	16	32	35.88	15	24	25	12	23	49.07	1	8.2
	64	128	128.97	15	24	80	20	20	11.79	4	10
2.5	16	40	44.85	18	30.5	30	12	29	61.99	1.5	11.7
	64	160	161.21	18	29	90	20	24	13.77	5	10
3	16	48	53.82	22	34	40	15	32	74.05	2	11
	64	192	193.45	22	30	100	20	24	16.41	6	10
3.5	16	56	62.80	25	45	48	15	43	87.13	2	19.1
	64	224	225.70	25	50	100	20	43	19.32	7	22
4	16	64	71.76	30	50	50	20	48	98.21	2	18.5
	64	256	257.94	30	50	120	20	42	21.72	8	20
4.5	16	72	80.73	32	53	55	20	50.5	112.08	2.5	19
	64	288	290.18	32	53	130	20	44	24.83	9	23
5	16	80	89.70	35	58	60	20	55.5	125.06	2.5	20.6
	64	320	322.42	35	58	150	20	48	27.65	10	25

Normal axis Bevel Gears

Pressure angle: 20°
in compliance with UNI 6588

Ratio – 1:4



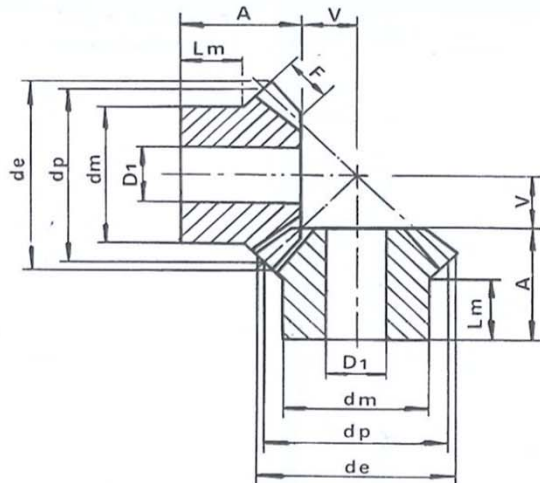
CARRETOS CÔNICOS - EXECUÇÃO ESPECIAL

Normal axis Bevel Gears

Pressure angle: 20°

Gleason System

Ratio - 1:1



MATERIAL: C 43 - UNI 7847

M	Z	d_p	d_e	F	A	d_m	D_1	V	L_m
1	16	16.0	17.4	4	11.2	13.3	4	4.80	6.5
	19	19.0	20.4	4	11.8	15.3	4	6.20	6.5
	22	22.0	23.4	4.7	12.8	16.3	5	7.20	6.5
	26	26.0	27.4	5.5	13.3	20.3	5	8.70	7
	30	30.0	31.4	6.4	16	20.3	5	10.00	8
1.5	16	24.0	26.1	6	18.9	20.3	8	7.10	12
	19	28.5	30.6	7	21.3	20.3	8	8.70	12
	22	33.0	35.1	7.5	22.5	25.3	8	10.50	12
	26	39.0	41.1	8.5	23.2	28.3	8	12.80	12
	30	45.0	47.1	10	27.2	30.3	12	14.80	12
2	16	32.0	34.8	8	23.5	25.3	8	9.50	14
	19	38.0	40.8	9	24.2	25.3	8	11.80	12
	22	44.0	46.8	10	27.9	30.3	12	14.10	14
	26	52.0	54.8	12	31.4	35.3	12	16.60	14
	30	60.0	62.8	13	34.1	40.3	14	19.90	17
2.5	16	40.0	43.5	10	28.1	30.3	12	11.90	15
	19	47.5	51.0	11	27.1	35.3	12	14.90	13
	22	55.0	58.5	12	30.1	45.3	16	17.90	16
	26	65.0	68.5	15	33.2	45.3	16	20.80	16
	30	75.0	78.5	16	39	50.3	16	25.00	20
3	16	48.0	52.5	12	31.7	40.3	12	14.30	18
	19	57.0	61.2	13	36	40.3	14	18.00	17
	22	66.0	70.2	15	36.9	50.3	16	21.10	17
	26	78.0	82.2	17	38.4	50.3	16	25.60	18
	30	90.0	94.2	19	43.8	60.3	20	30.20	22
3.5	16	56.0	60.9	14	36.4	45.3	16	16.60	20
	19	66.5	71.5	15	37.8	50.3	18	21.00	19
	22	77.0	81.9	17	39.1	55.3	20	24.90	18
	26	91.0	96.0	20	43.35	62.3	20	29.70	20
	30	105.0	110.0	23	47.1	70.3	20	34.90	22
4	16	64.0	69.7	15	44.3	50.3	16	19.70	25
	19	76.0	81.7	18	44.4	55.3	20	23.60	22
	22	88.0	93.7	20	45.9	60.3	20	28.10	22
	26	104.0	109.7	25	48	70.3	20	34.00	22
	30	120.0	125.7	26	54.2	80.3	20	39.80	25
4.5	16	72.0	78.4	17.5	46.3	55.3	20	21.70	25
	19	85.5	91.8	20	49	62.3	20	26.57	25
	22	99.0	105.3	22	50.1	70.3	20	31.90	25
	26	117.0	123.0	25	54.7	75.3	20	38.60	26
	30	135.0	141.4	29	60	80.3	20	45.00	28
5	16	80.0	87.1	18	48.9	60.3	20	25.10	25
	19	95.0	102.1	22	52.2	60.3	20	29.80	25
	22	110.0	117.1	24	58.2	80.3	20	35.80	30
	26	130.0	137.1	29	62.7	80.3	20	42.30	30
	30	150.0	157.1	32	68.9	80.3	20	50.10	35

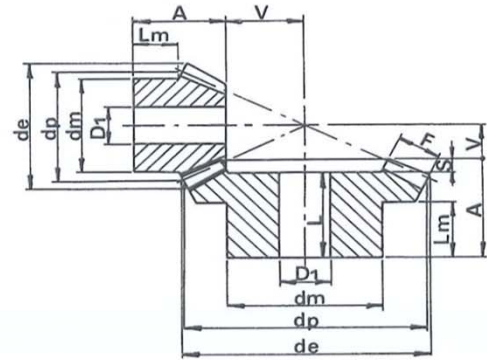
CARRETOS CÔNICOS - EXECUÇÃO ESPECIAL

MATERIAL: C 43 - UNI 7847											
M	Z	d _p	d _e	F	A	d _m	D ₁	L	V	S	L _m
1	16	16	18.1	4.3	12	13.3	4		8		7
	24	24	24.8	4.3	14.8	20.3	5	13.3	5.2	1.5	9.3
1.5	16	24	27.1	8	20.3	20.3	8		10.7		11.8
	24	36	37.2	8	24.9	28.3	8	22.7	7.1	2.2	16
2	16	32	36.2	10	25.2	25.3	8		14.8		13.8
	24	48	49.7	10	27.2	32.3	8	24.7	9.8	2.5	16
2.5	16	40	45.2	13	30.8	32.3	12		18.2		16.4
	24	60	62.1	13	34	45.3	14	30.8	12	3.2	20
3	16	48	54.3	14.5	32.4	40.3	12		22.6		16.4
	24	72	74.5	14.5	36.2	55.3	16	32	14.8	4.2	20
3.5	16	56	63.3	18	40.4	45.3	16		25.6		20.4
	24	84	86.9	18	44.2	55.3	20	40	16.8	4.2	25
4	16	64	72.4	18	46.8	50.3	16		31.2		25.4
	24	96	99.3	18	45.5	60.3	20	40	20.5	5.5	25
4.5	16	72	81.4	20	47.6	60.3	20		35.4		25.1
	24	108	111.7	20	57.8	80.3	20	51.3	23.2	6.5	35
5	16	80	90.5	24	54.1	60.3	20		37.9		25.4
	24	120	124.1	24	61.1	80.3	20	54.5	24.9	6.6	35

Normal axis Bevel Gears

Pressure angle: 20°
Gleason System

Ratio - 1:1.5

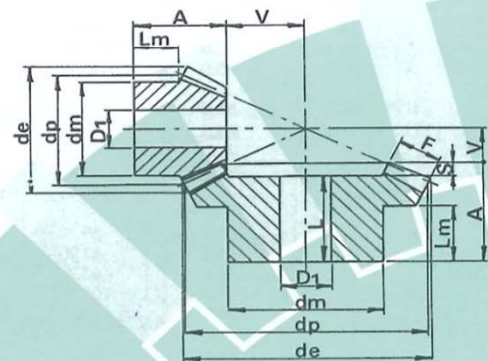


MATERIAL: C 43 - UNI 7847											
M	Z	d _p	d _e	F	A	d _m	D ₁	L	V	S	L _m
1	15	15.0	17.4	5	11.9	13.3	4		10.1		6.5
	30	30.0	30.6	5	15.1	20.3	5	13.7	4.9	1.4	9
1.5	15	22.5	26.1	9	21.1	19.3	8		13.9		11.9
	30	45.0	45.9	9	25.2	32.3	8	23	6.8	2.2	16
2	15	30.0	34.8	11.5	26	25.3	8		19.0		14.1
	30	60.0	61.2	11.5	29.8	40.3	14	26.8	9.2	3	18
2.5	15	37.5	43.5	15	31.8	32.3	12		23.2		16.2
	30	75.0	76.5	15	33.7	45.3	16	30	11.3	3.7	20
3	15	45.0	52.2	17	37.3	40.3	12		28.7		19.9
	30	90.0	91.8	17	42.1	55.3	16	38	13.9	4.1	25
3.5	15	52.5	60.9	20.5	46.1	45.3	16		32.9		24.7
	30	105.0	107.1	20.5	45	60.3	20	40	16.0	5	25
4	15	60.0	69.6	22.5	48.6	50.3	20		38.4		24.6
	30	120.0	122.3	22.5	57.3	80.3	20	51.9	18.7	5.4	35
4.5	15	67.5	78.3	26	51.4	60.3	20		42.6		24.7
	30	135.0	137.6	26	60.3	80.3	20	54.3	20.7	6	35
5	15	75.0	87	30	57.6	60.3	20		46.4		25.3
	30	150.0	152.9	30	62.5	80.3	20	56	22.5	6.5	35

Normal axis Bevel Gears

Pressure angle: 20°
Gleason System

Ratio - 1:2



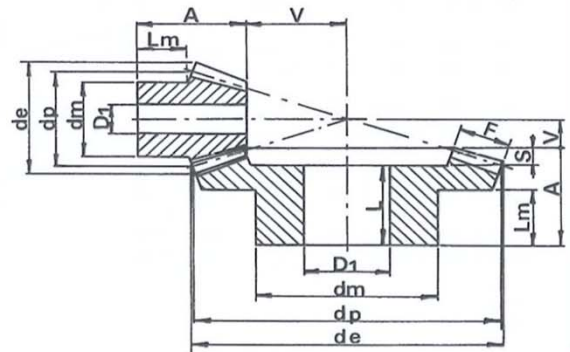
CARRETOS CÔNICOS - EXECUÇÃO ESPECIAL

MATERIAL: C 43 – UNI 7847											
M	Z	d _p	d _o	F	A	d _m	D ₁	L	V	S	L _m
1	16	16	18.6	6.5	14.4	13.3	4		13.6		7.4
	40	40	40.4	6.5	14.8	25.3	8	13	5.2	1.8	9
1.5	16	24	27.9	11.5	24.2	20.3	8		18.8		12.3
	40	60	60.7	11.5	27.8	40.3	14	25.5	7.2	2.3	18
2	16	32	37.2	15	29.6	25.3	8		25.4		13.7
	40	80	80.9	15	32.4	45.3	16	29	9.6	3.4	20
2.5	16	40	46.4	19	38.4	32.3	12		31.6		18.5
	40	100	101.1	19	39.8	55.3	16	35.9	12.2	3.9	25
3	16	48	55.7	21.5	41.9	40.3	16		39.1		19.6
	40	120	121.4	21.5	47.9	60.3	20	44	15.1	3.9	30
3.5	16	56	65.0	22.6	49.1	45.3	20		47.9		25
	40	140	141.6	22.6	54.6	80.3	20	50	18.4	4.6	35
4	16	64	74.3	26	52.5	55.3	20		54.5		25.3
	40	170	161.8	26	57.0	80.3	20	50.5	21.0	6.5	35
4.5	16	72	83.6	30	56.3	60.3	20		60.7		24.6
	40	180	182.1	30	59.7	80.3	20	53	23.3	6.7	35
5	16	80	92.9	32	65.4	60.3	20		68.6		30.1
	40	200	202.3	32	65.7	90.3	20	58.3	26.3	7.4	40

Normal axis Bevel Gears

Pressure angle: 20°
Gleason System

Ratio – 1:2.5



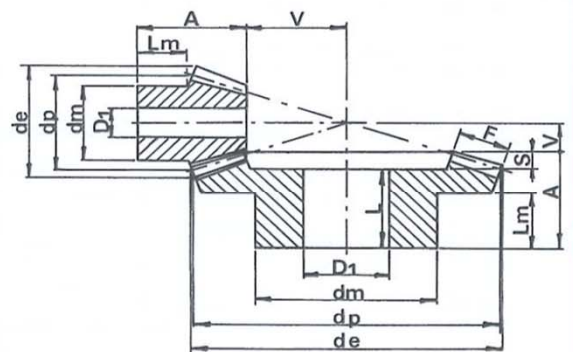
Bevel gears available while stocks last

MATERIAL: C 43 – UNI 7847											
M	Z	d _p	d _o	F	A	d _m	D ₁	L	V	S	L _m
1	15	15	17.7	7.1	16.6	13.3	4		15.4		9.2
	45	45	45.3	7.1	17.1	25.3	8	15.2	4.9	1.9	10
1.5	15	22.5	26.5	10.5	22.6	19.3	8		23.4		11.7
	45	67.5	68.1	10.5	29.6	45.3	14	27.2	7.4	2.4	20
2	15	30	35.4	14	28.9	25.3	8		31.1		14.2
	45	90	90.8	14	32.1	45.3	16	28.4	9.9	3.7	20
2.5	15	37.5	44.2	18	34.6	32.3	12		38.4		15.9
	45	112.5	113.4	18	39.7	60.3	20	35.3	12.3	4.4	25
3	15	45	53.0	21	41.3	40.3	16		46.7		19.7
	45	135	136.1	21	47.2	60.3	20	42	14.8	5.2	30
3.5	15	52.5	61.9	23.5	49.6	45.3	20		55.4		25
	45	157.5	158.8	23.5	54.4	80.3	20	48.6	17.6	5.8	35
4	15	60	70.7	27.5	54.3	50.3	20		62.7		25.4
	45	180	181.5	27.5	57	80.3	20	50.5	20	6.5	35
4.5	15	67.5	79.5	28.5	55.2	55.3	20		72.8		24.8
	45	202.5	204.2	28.5	63.9	90.3	20	57	23.1	6.9	40
5	15	75	88.4	33	65.3	60.3	20		79.7		30
	45	225	226.9	33	66.7	90.3	20	59.2	25.3	7.5	40

Normal axis Bevel Gears

Pressure angle: 20°
Gleason System

Ratio – 1:3



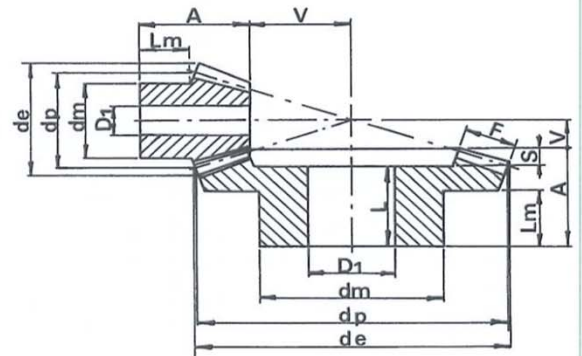
CARRETOS CÔNICOS - EXECUÇÃO ESPECIAL

MATERIAL: C 43 - UNI 7847											
M	Z	d _p	d _e	F	A	d _m	D ₁	L	V	S	L _m
1	16	16	18.7	8.7	16.6	13.3	4		19.4		7.6
	56	56	56.3	8.7	16.7	30.3	8	14.2	5.3	2.5	10
1.5	16	24	28.1	12	24	20.3	8		30		11.5
	56	84	84.5	12	34.8	45.3	14	32	8.2	2.8	25
2	16	32	37.5	16	30.9	25.3	8		40.1		14.1
	56	112	112.6	16	37.1	55.3	16	33.3	10.9	3.8	25
2.5	16	40	46.8	20	38.9	32.3	14		50.1		17.9
	56	140	140.8	20	44.4	60.3	20	40	13.6	4.4	30
3	16	48	56.2	24	49.9	40.3	16		60.1		24.9
	56	168	169	24	52.7	80.3	20	47.5	16.3	5.2	35
3.5	16	56	65.6	25	52	25.5	20		73		25.5
	56	196	197.1	25	55.1	80.3	20	49.1	19.9	6	35

Normal axis Bevel Gears

Pressure angle: 20°
Gleason System

Ratio - 1:3.5



Bevel gears available while stocks last.

MATERIAL: C 43 - UNI 7847											
M	Z	d _p	d _e	F	A	d _m	D ₁	L	V	S	L _m
1	15	15.0	17.80	9.3	17.2	13.3	4		20.8		7.7
	60	60	60.30	9.3	17.1	30.3	8	15.2	4.9	1.9	10
1.5	15	22.5	26.70	11	23	20.3	8		34.0		11.7
	60	90	90.40	11	34	50.3	16	31.2	8.0	2.8	25
2	15	30	35.60	16	31	25.3	8		44.0		14.4
	60	120	120.60	16	37.6	60.3	16	34.2	10.4	3.4	25
2.5	15	37.5	44.50	19	38.1	32.3	14		55.9		18.4
	60	150	150.70	19	44.8	60.3	20	40	13.2	4.8	30
3	15	45	53.30	23	48.1	40.3	16		66.9		24.5
	60	180.0	180.80	23	53.2	80.3	20	48.2	15.8	5	35
3.5	15	52.5	62.20	26	52.1	45.3	20		78.9		25.1
	60	210	211.00	26	60.4	90.3	20	54.4	18.6	6	40
4	15	60	71.10	30	55.1	50.3	20		89.9		23
	60	240	241.10	30	60.8	90.3	20	53	21.2	7.8	40
4.5	15	67.5	79.97	32	57	52.3	20		102.9		23
	60	270	271.24	32	62	90.3	20	53.5	24.3	8.5	40
5	15	75	88.80	34	62	55.3	20		115.7		25
	60	300.0	301.30	34	65	90.3	20	55	27.0	10	40

Normal axis Bevel Gears

Pressure angle: 20°
Gleason System

Ratio - 1:4

